

NM3 Catalogue

NM01

NM13

NM22

OG-NM301

NM29, NM29.1, NM29.2

NM30 Sofa,

NM30 Ottoman

NM30 Lounge Chair

NMAM

NM06

NM07

NM02

NM08

NM11

NM17

NM19, NM19.1, NM19.2

NM20

NM15, NM15.1

NM21

NM45

NM23, NM23.1, NM23.2

NM24, NM24.1, NM24.2

NM25, NM25.1, NM25.2, NM25.3

NM26, NM26.1, NM26.2, NM26.3,

NM26.4

NMS01, NMS01.1, NMS01.2

NMS02, NMS02.1, NMS02.2

NMS03, NMS03.1, NMS03.2

NM28

NMLL

NM44

NM39, NM39.1, NM39.2

NM40, NM40.1, NM40.2

NM41

NM03

NM27

NM31

NM32

NM33

NM34

NM35

NM36, NM36.1, NM36.2

NM37, NM37.1, NM37.2

NM38

NMV

NM05.1, NM05.2, NM05.3, NM05.4,

NM05.5

2026

Company P.04²

Products P.20 Seating & Bed²
P.60 Tables²
P.108 System & Storage furniture²

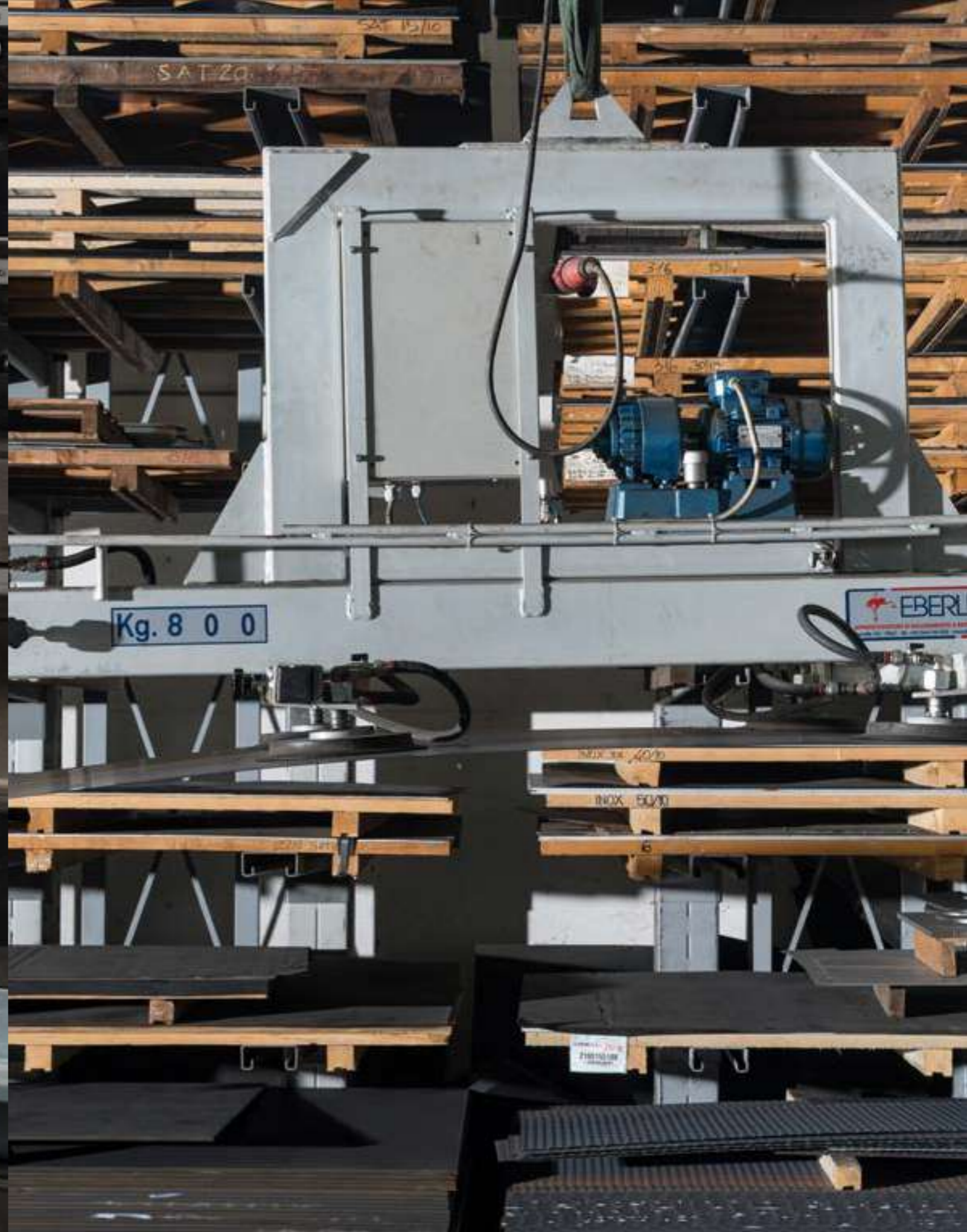
Finishes P.134 Bookshelf²
P.146 Kitchen²
P.154 Lighting²
P.166 Accessories²

Contacts P.252 Metal²
P.253 Powder-Coat²
P.254 Glass²
P.255 Marble²
P.256 Upholstery²
P.258 Feet Option²
P.261²

Company

NM3 is a Milan-based design brand operating at the intersection of architecture and product design. Each object is developed through a structural approach, conceived as a spatial construction defined by proportion, repetition, and constructive clarity. The brand operates through a consistent design language applied across furniture, systems and custom projects.





Material & Process

NM3 works primarily with stainless steel, aluminium, and iron, combined with selected premium materials. The design process begins with material selection and its industrial potential. Components are laser-cut, bent, and mechanically assembled. Dry joints are preferred over welding whenever possible. This approach allows each object to be fully demountable: it can be disassembled, transported, replaced, reused, or adapted over time. The constructive logic remains visible and becomes an integral part of the object's identity.

Modularity

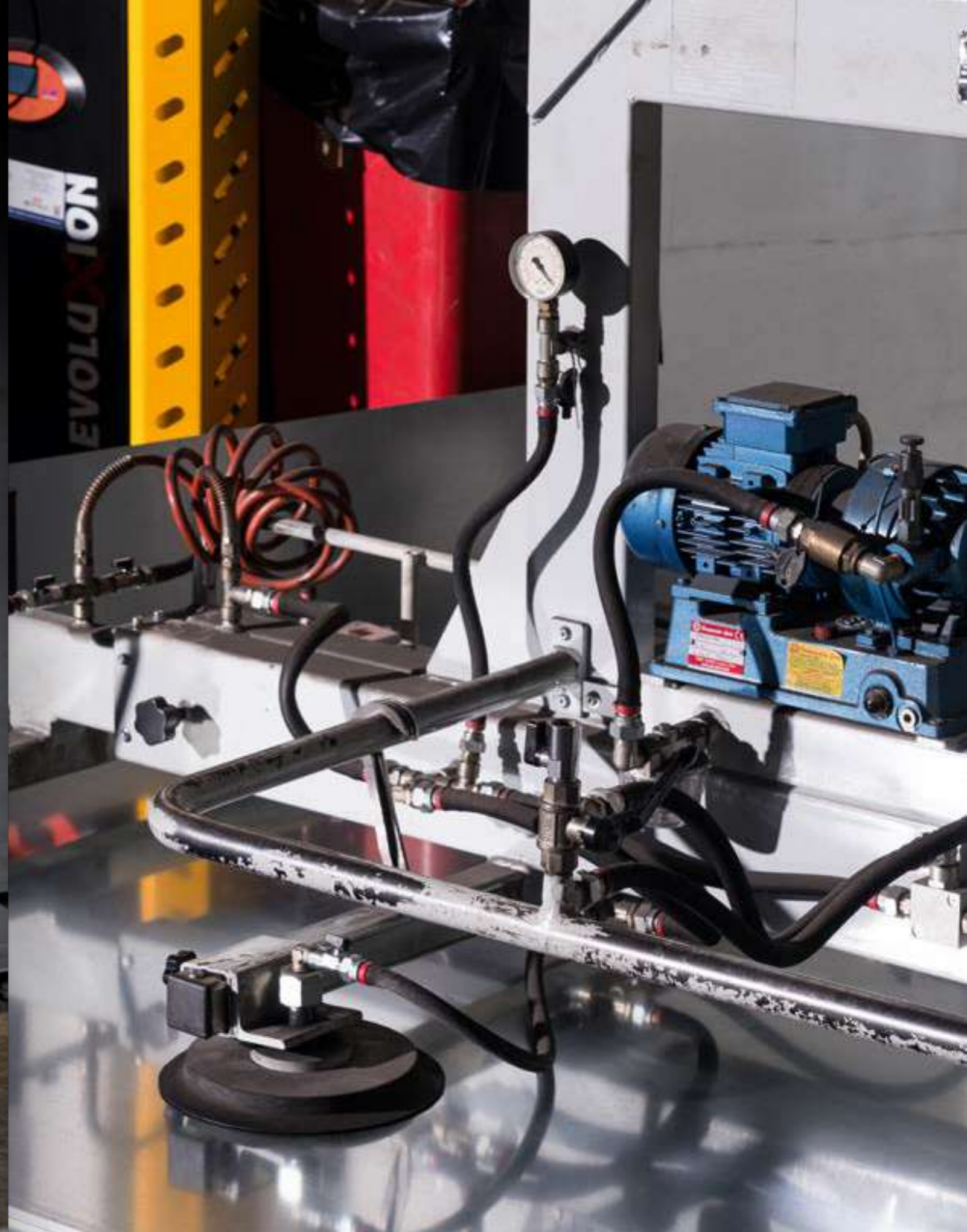
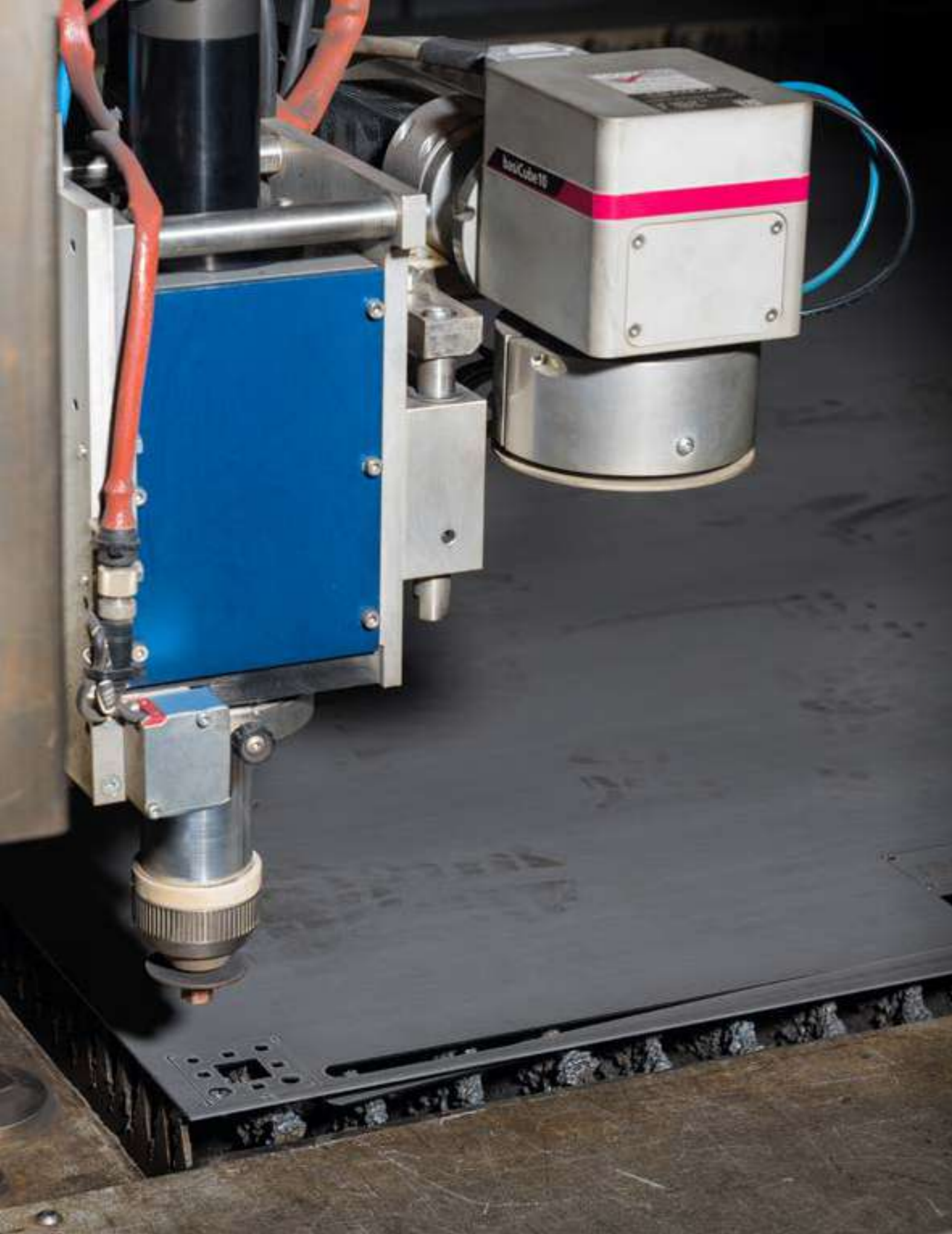
Modularity is a structural principle. Many products are based on repeatable elements that can be extended, mirrored, or reconfigured. This system allows the collection to adapt to different spatial and functional requirements, from domestic environments to offices and public settings, without altering its core logic. It also optimises transport, flat-pack delivery, and storage. Objects are conceived to evolve over time rather than to be replaced.

Durability & Sustainability

The core materials are stainless steel and aluminium, two metals distinguished by their durability and infinite recyclability. NM3 objects are designed to last and to remain structurally relevant over time. Longevity, repairability, and reusability are integral to the system. Sustainability is addressed as a direct consequence of construction logic and material choice, rather than as a marketing claim.

Indoor/Outdoor

The same elements can function in both interior and exterior environments. Their structural clarity and material resistance allow them to operate across contexts without modification. There is no distinction in design language between indoor and outdoor use.



NM3 is often associated with industrial or brutalist aesthetics due to its radical use of raw metal within domestic environments. While this is a possible reading, the collection is not confined to a specific stylistic category. Its neutral geometry allows integration across a wide range of contexts — from historical interiors to contemporary apartments — without imposing a dominant visual language. The objective is not decoration, but structural definition.



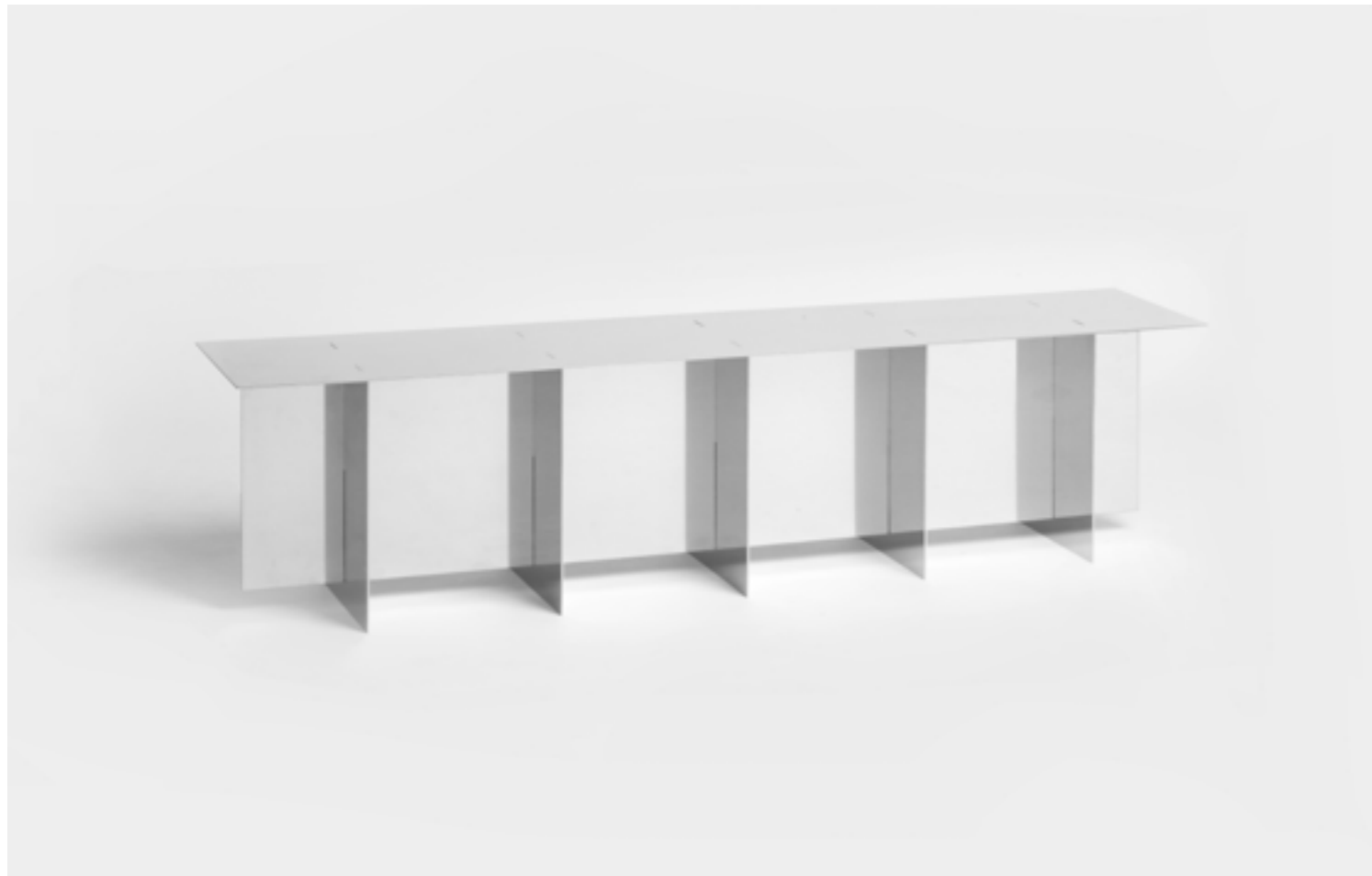
Products

P.20	Seating & Bed*
P.60	Tables*
P.108	System & Storage furniture*
P.134	Bookshelf*
P.146	Kitchen*
P.154	Lighting*
P.166	Accessories*

Disclaimer

All NM3 products are manufactured using industrial materials and processes, without applied surface treatments. As such, variations in tone, texture, brushing direction, as well as small scratches, marks, and surface irregularities are inherent to the material and production method.

Natural wear over time—including scratches, abrasions, and patina—is an expected characteristic and does not constitute a defect. NM3 products are designed to evolve through use, and signs of normal wear or environmental exposure are not considered as defects.



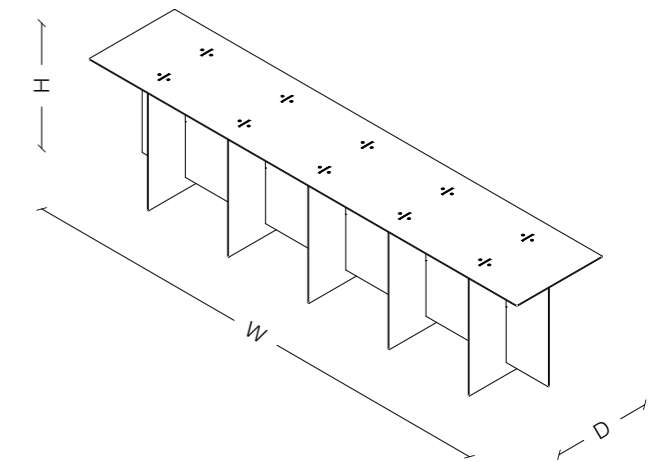
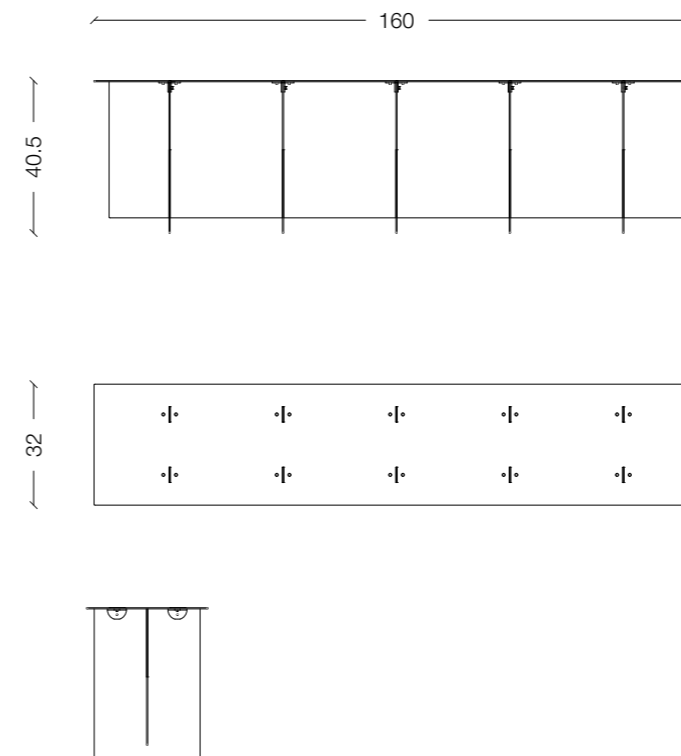
NM01 is a modular bench from NM3's inaugural collection. It is constructed from laser-cut metal sheets assembled through interlocking geometries, without welding. The structure is secured by a concealed connector system integrated within the volume. The bench is composed of repeatable identical modules, allowing linear extension and spatial adaptation. Fully demountable, it can be reduced to flat metal elements, optimising transport and storage.

Year **2021** Product Category **Bench** Available measures W160 x D32 x H40.5 cm

Feet Stands directly on the floor, felt pads applied Finishes (in the image) Mirror stainless steel

- Available finishes **Metal**
- Essential
Zinc-plated iron
- Standard
Mirror stainless steel
- Custom options
Custom dimensions, materials or finishes are available upon request and subject to surcharge. RAL colours outside NM3's standard selection subject to surcharge.
- Powder-Coated Finishes:
 - Black
 - White
 - Ruby Red
 - Capri Bluee
 - Dark Grey
 - Mustard
 - Bottle Green

Technical drawing Axonometry





↙ NM01 • Metal finish: Mirror Stainless Steel • Ph. Louis De Belle

↘ NM01 • Metal finish: Mirror Stainless Steel



↓ NM01 • Metal finish: Mirror Stainless Steel • Ph. Piercarlo Quecchia



← NM01 • Powder-Coated iron, colour: Dark Grey

← NM01 • Powder-Coated iron, colour: Mustard



NM13 is a dual-use object functioning as both stool and side table. The structure is defined by a compact aluminium volume and a circular top articulated through a double-layer configuration. Two aligned discs are permanently joined by welding. The upper plane is offset from a flat secondary disc positioned 5 cm below, generating a controlled spatial depth. The object combines material continuity and geometric precision in a compact architectural form.

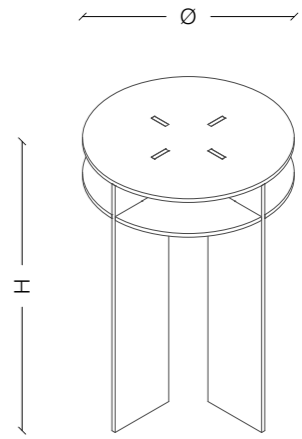
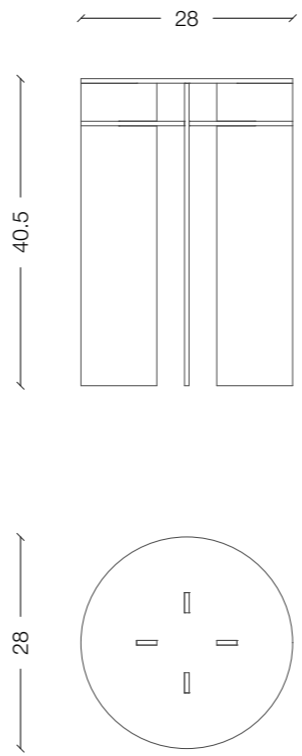
Year **2021** Product Category **Stool** Available measures $\text{Ø}28 \times \text{H}40.5 \text{ cm}$

Feet Stands directly on the floor, felt pads applied Finishes (in the image) Satin aluminium

Available finishes **Metal** Standard **Satin Aluminium** Custom options Custom dimensions, materials or finishes are available upon request and subject to surcharge. RAL colours outside NM3's standard selection subject to surcharge.

Powder-Coated Finishes:
 Black
 White
 Ruby Red
 Capri Bluee
 Dark Grey
 Mustard
 Bottle Green

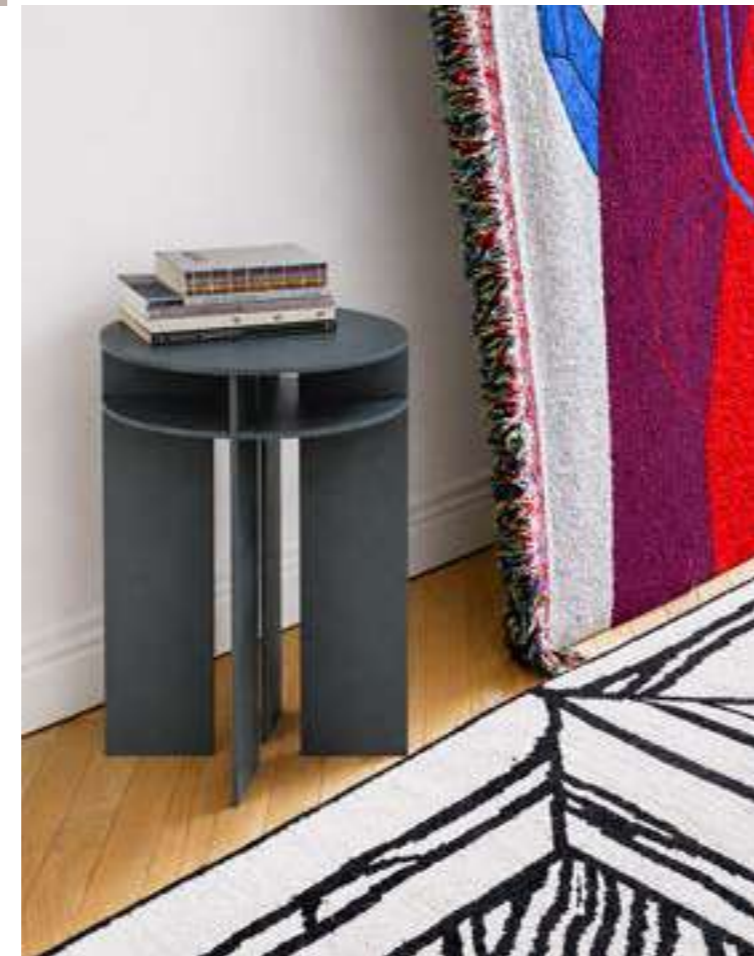
Technical drawing Axonometry





↙ NM13 • Metal finish: Satin aluminium • Ph. Ivan Stolbovoi

↓ NM13 • Powder-Coated iron, colour: Dark Grey



Index²

↘ NM13 • Metal finish: Satin aluminium

↓ NM13 • Metal finish: Satin aluminium • Ph. Delfino Sisto Legnani



27

Seating & Bed



Index²



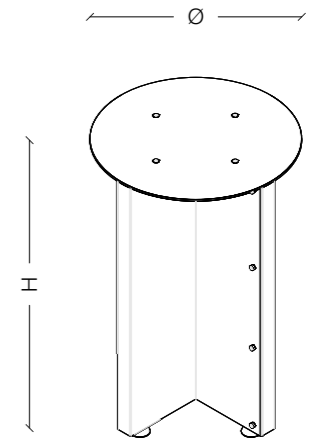
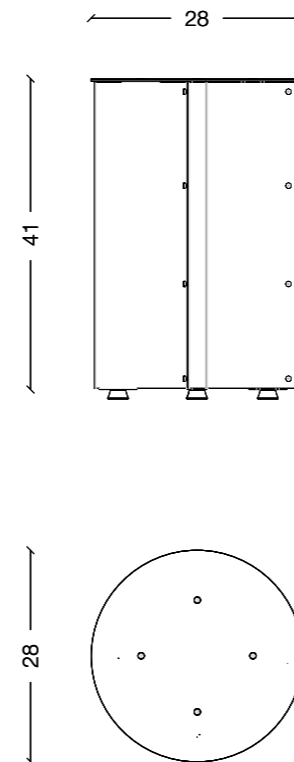
NM22 is a compact dual-use object designed as stool and side table. The structure is based on a dry-assembled metal system developed around box-section components, enhancing structural performance while maintaining a reduced volume. Vertical metal planes support a circular top through precise dry joints. The object is fully demountable and can be reduced to modular components for efficient transport and storage. Suitable for domestic, office, and contract environments.

Year **2023** Product Category **Stool** Available measures $\varnothing 28 \times H41$ cm

Feet Adjustable feet, H1 cm Finishes (in the image) Mirror stainless steel

Available finishes	Metal	Essential Zinc-plated iron	Custom options Custom dimensions, materials or finishes are available upon request and subject to surcharge. RAL colours outside NM3's standard selection subject to surcharge.
		Standard Mirror stainless steel Satin stainless steel	Powder-Coated Finishes: Black White Ruby Red Capri Bluee Dark Grey Mustard Bottle Green
	Upholstery	Premium Supermirror stainless steel	
		Standard • Nautic – Indoor/ Outdoor Fabric Pralina Granata Blue • Pure Linen Beige Green Anthracite	
		Premium • Velvet Tortora Bluee Navy Sage • Leather Black Ecru Matte Grey	

Technical drawing Axonometry





↙ NM22 • Metal finish: Mirror Stainless Steel • Ph. Delfino Sisto Legnani

↓ NM22 • Metal finish: Mirror Stainless Steel



Index²

↘ NM22 • Metal finish: Mirror Stainless Steel

↓ NM22 • Metal finish: Mirror Stainless Steel; upholstery finish: Leather, White



Seating & Bed



Available finishes **Metal** **Standard** **Custom options**
 Brushed Stainless Steel Custom dimensions, materials or finishes are available upon request and subject to surcharge. RAL colours outside NM3's standard selection subject to surcharge.

Powder-Coated Finishes:
 Black
 White
 Ruby Red
 Capri Bluee
 Dark Grey
 Mustard
 Bottle Green

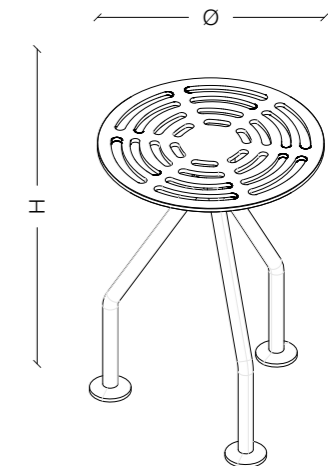
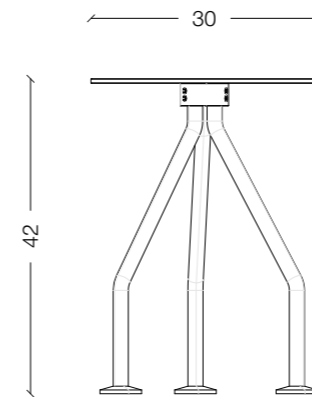


OG-NM301 is a stool developed in collaboration with QuadroDesign. The object is defined by a rationalist stainless steel structure, where all components remain visible and directly expressed. The construction is based on precise machining and controlled bending radii, developed jointly by the two brands to ensure consistency across every element. Entirely made of stainless steel, the stool ensures durability and resistance to corrosion, making it suitable also for bathroom environments. The perforated top integrates a drainage function, reinforcing the relationship between form and use. Fully demountable, OG-NM301 is delivered as a flat-pack system. The product and packaging design are developed by Andrea Ferrari.

Year **2026** Product Category **Stool** Available measures $\varnothing 30 \times H42 \text{ cm}$

Feet Custom Stainless Steel Finishes (in the image) Brushed Stainless Steel

Technical drawing Axonometry





↙ OG-NM301 • Metal finish: Satin Stainless Steel • Ph. Louis De Belle

↓ OG-NM301 • Metal finish: Satin Stainless Steel • Ph. Louis De Belle



Index²

↘ OG-NM301 • Metal finish: Satin Stainless Steel • Ph. Louis De Belle

↓ OG-NM301 • Metal finish: Satin Stainless Steel • Ph. Louis De Belle



35

Seating & Bed



Index²



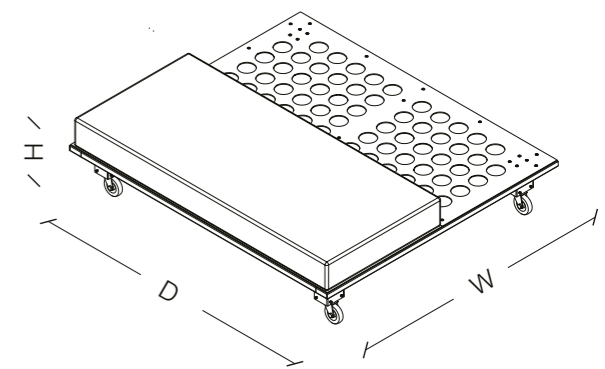
NM29 is a bed defined by a folded and perforated aluminium structure. The frame and headboard are dry-assembled through precise mechanical joints, forming a continuous structural system. The perforated surface reduces visual mass while allowing light and air to pass through the structure, reinforcing its graphic clarity and architectural presence. Supplied without mattress. The backrest is optional and available with upholstery upon request.

Year **2021** Product Category **Bed** Measures (in the image) W190 x D210 x H35/25 cm
 Available measures W160 x D210 x H35/25 cm
 W90 x D210 x H35/25 cm

Feet Large wheels Finishes (in the image) Brushed aluminium

- Available finishes
 - Metal
 - Standard
 - Brushed aluminium
 - Upholstery
 - Standard
 - Nautic – Indoor/Outdoor Fabric
 - Pralina
 - Granata
 - Blue
 - Pure Linen
 - Beige
 - Green
 - Anthracite
 - Premium
 - Velvet
 - Tortora
 - Bluee Navy
 - Sage
 - Leather
 - Black
 - Ecru
 - Matte Grey
- Custom options
 - Custom dimensions, materials or finishes are available upon request and subject to surcharge. RAL colours outside NM3's standard selection subject to surcharge.
 - Powder-Coated Finishes:
 - Black
 - White
 - Ruby Red
 - Capri Bluee
 - Dark Grey
 - Mustard
 - Bottle Green

Technical drawing Axonometry





↙ NM29 with backrest • Metal finish: Brushed aluminium; upholstery finish: Leather, White

↓ NM29 with backrest • Metal finish: Brushed aluminium



Index²

↘ NM29 with backrest • Metal finish: Brushed aluminium



↓ NM29 with backrest • Metal finish: Brushed aluminium

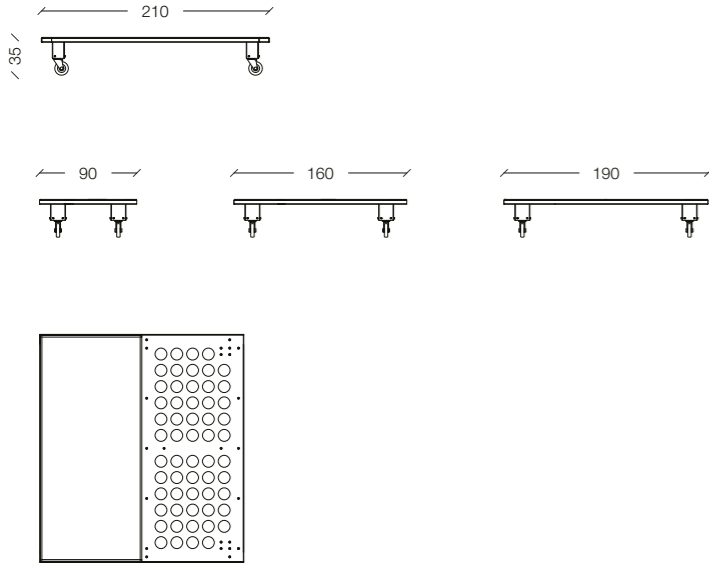


39

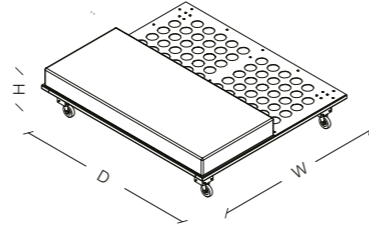
Seating & Bed

NM29

Technical Draw



Axonometry

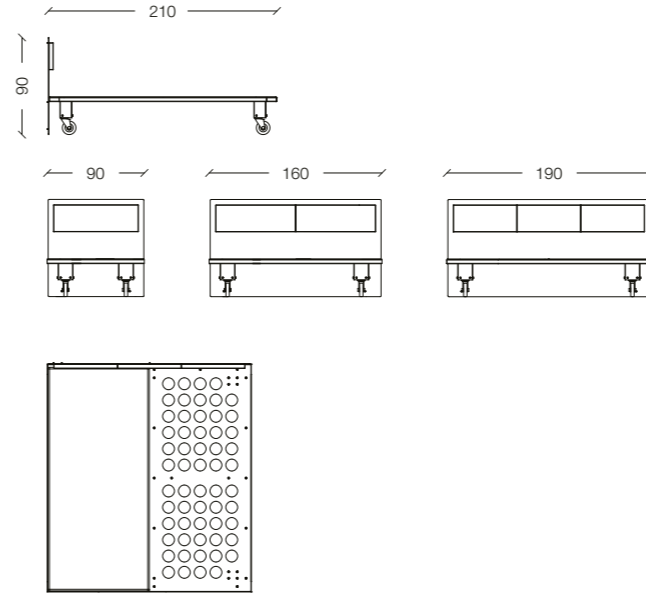


Measures

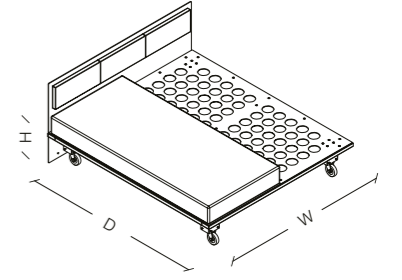
W190 × D210 × H35/25
cm

NM29.2

Technical Draw



Axonometry

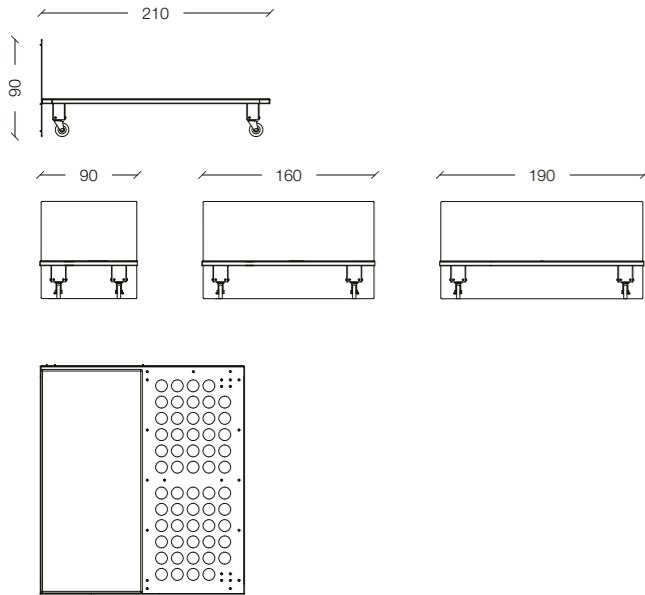


Measures

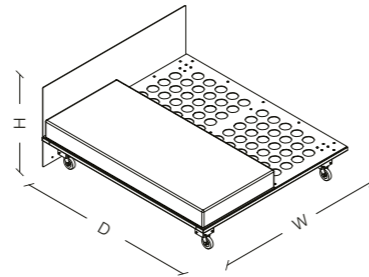
W190 × D210 × H35/25
cm

NM29.1

Technical Draw



Axonometry



Measures

W190 × D210 × H35/25
cm

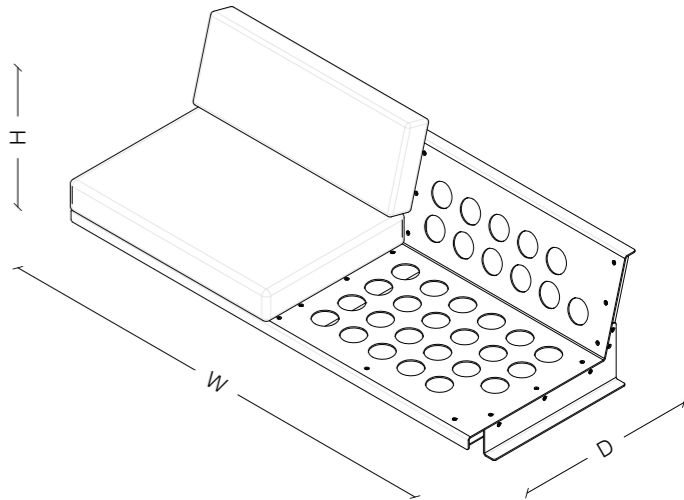


NM30 is a sofa defined by a folded and perforated aluminium structure, dry-assembled through precise mechanical joints forming the seat and inclined backrest. The pattern of perforations reduces visual and material mass while allowing light and air to pass through the structure, reinforcing the graphic clarity of the construction. Available fully upholstered or with a single seat cushion, leaving the aluminium structure partially exposed. Armrests are available as an option and can be applied to both new and existing

Year	Product Category	Measures (in the image)	Feet	Finishes (in the image)
2023	Sofa	W232 x D94 x H57.5 cm, seat height 31 cm	Rests directly on the floor, felt pads applied	Brushed aluminium structure, black leather upholstery
		Available measures		
		W250 x D94 x H57.5 cm, seat height 31 cm		

Available finishes	Metal	Standard	Custom options
		Brushed aluminium	Custom dimensions, materials or finishes are available upon request and subject to surcharge. RAL colours outside NM3's standard selection subject to surcharge.
	Upholstery	Standard	Powder-Coated Finishes:
		• Nautic – Indoor/ Outdoor Fabric Pralina Granata Blue • Pure Linen Beige Green Anthracite	Black White Ruby Red Capri Bluee Dark Grey Mustard Bottle Green
		Premium	
		• Velvet Tortora Bluee Navy Sage • Leather Black Ecru Matte Grey	

Technical drawing Axonometry





↳ NM30 Sofa, one seat • Metal finish: Brushed aluminium; upholstery finish: Leather, Black



→ NM30 Sofa one seat • Metal finish: Brushed aluminium; upholstery finish: Nautic, Écru



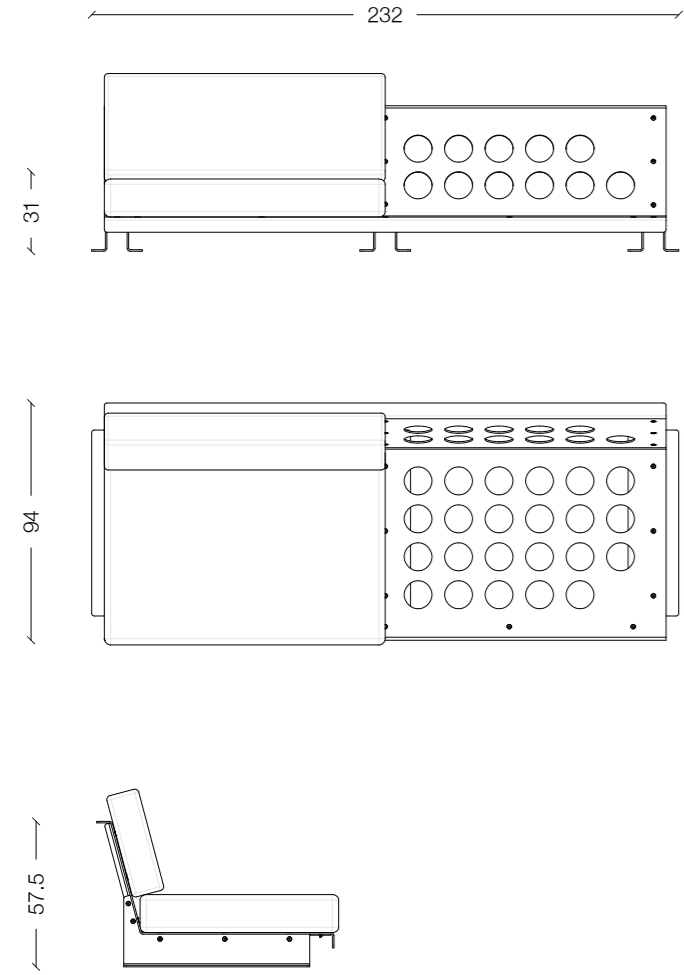
→ NM30.1 Sofa two seats Sofa, with arms • Metal finish: Brushed aluminium; upholstery finish: Leather, Black



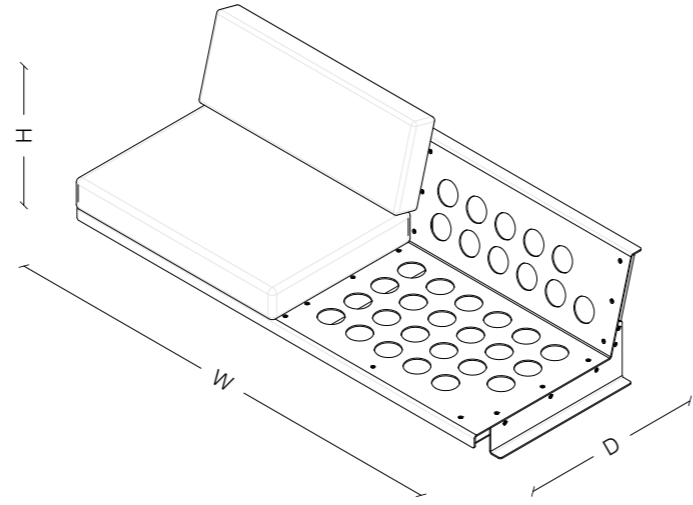
↳ NM30 Sofa two seats • Metal finish: Brushed aluminium; upholstery finish: Leather, Black • Ph. Michela Pedranti

NM30

Technical Draw



Axometry

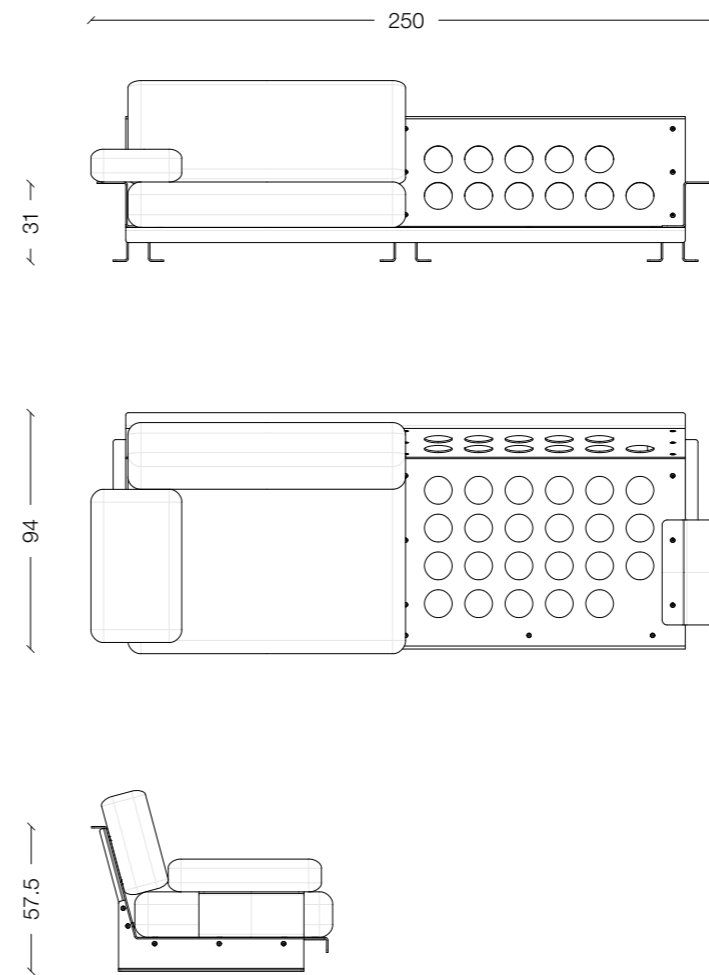


Measures

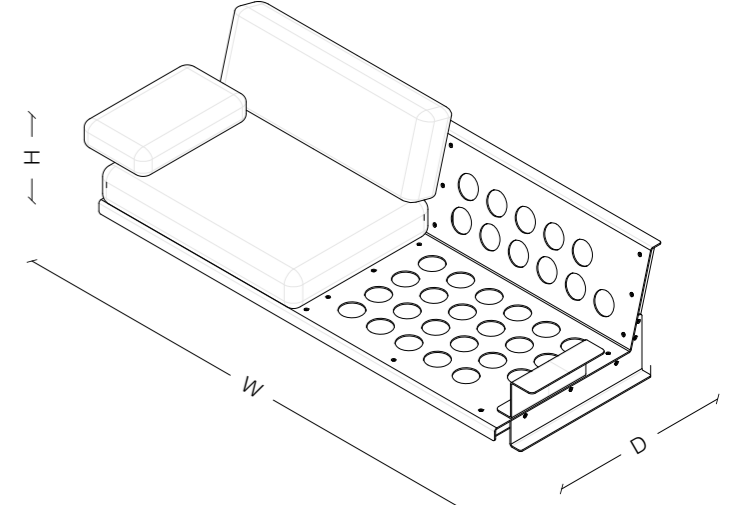
W232 x D94 x H57.5 cm
seat height 31 cm

NM30.1

Technical Draw



Axometry



Measures

W250 x D94 x H57.5 cm
seat height 31 cm

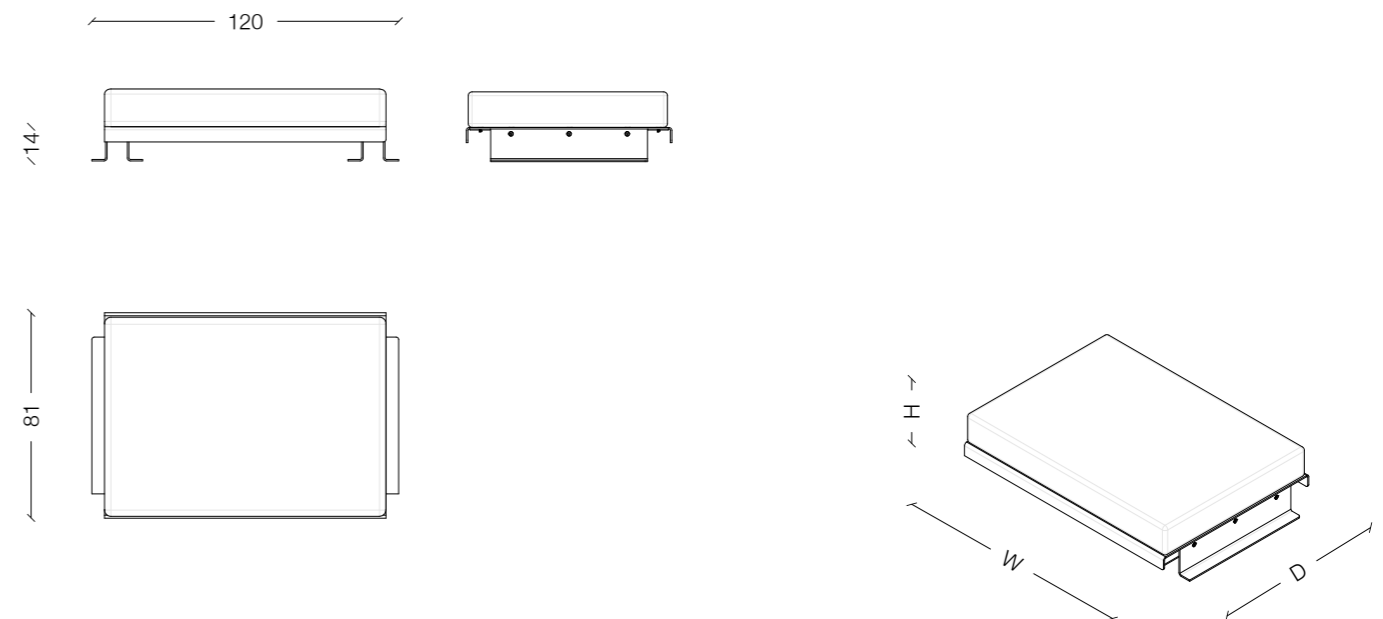


NM30.2 is an ottoman defined by a folded and perforated aluminium structure. The geometry follows the structural logic of the NM30 system, reducing the volume to a horizontal upholstered surface supported by a dry-assembled aluminium base. Available in brushed aluminium or powder-coated aluminium in NM3's standard RAL selection. Upholstery available in standard and premium options.

Year	Product Category	Available measures	Feet	Finishes (in the image)
2026	Ottoman	W120 x D81 x H14 cm without the upholstery, H24 cm with upholstery	Rests directly on the floor	Brushed aluminium structure, black leather upholstery

Available finishes	Metal	Standard	Custom options
		Brushed aluminium	Custom dimensions, materials or finishes are available upon request and subject to surcharge. RAL colours outside NM3's standard selection subject to surcharge.
	Upholstery	Standard	Powder-Coated Finishes:
		• Nautic – Indoor/ Outdoor Fabric Pralina Granata Blue • Pure Linen Beige Green Anthracite	Black White Ruby Red Capri Bluee Dark Grey Mustard Bottle Green
		Premium	
		• Velvet Tortora Bluee Navy Sage • Leather Black Ecrú Matte Grey	

Technical drawing Axonometry





→ NM30.2 Ottoman • Metal finish: Brushed aluminium;
upholstery finish: Leather, Black



→ NM30.2 Ottoman • Metal finish: Brushed aluminium;
upholstery finish: Leather, Black • Ph. Michela Pedranti



↖ NM30.2 Ottoman • Metal finish: Brushed aluminium;
upholstery finish: Leather, Black



↖ NM30.2 Ottoman • Metal finish: Brushed aluminium;
upholstery finish: Leather, Black • Ph. Michela Pedranti

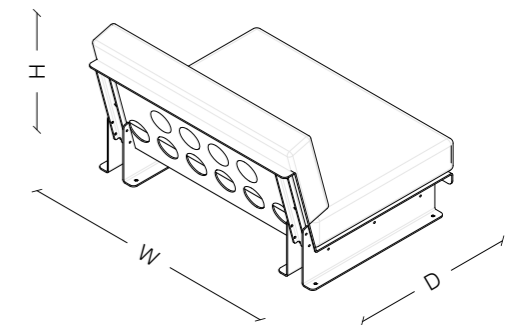
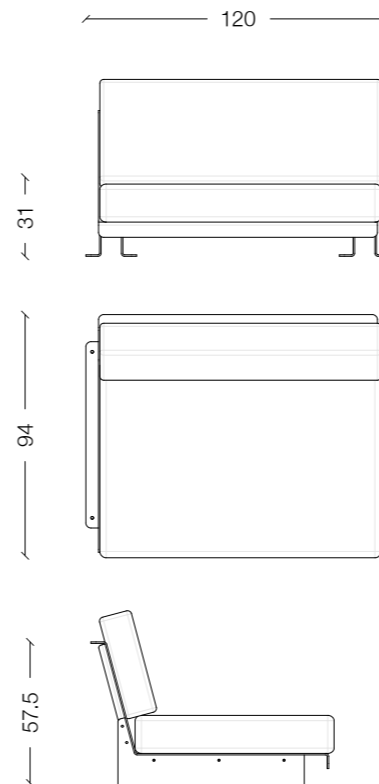


NM30.3 is a lounge chair defined by a folded and perforated aluminium structure, dry-assembled through precise mechanical joints forming the seat and inclined backrest. The perforated surface reduces visual and material mass while maintaining structural clarity. Available in raw aluminium or powder-coated aluminium in NM3's standard RAL selection.

Year	Product Category	Available measures	Feet	Finishes (in the image)
2023	Lounge Chair	W120 × D94 × H57.5 cm seat height 31 cm	Rests directly on the floor, felts pad applied	Brushed aluminium structure, black leather upholstery

Available finishes	Metal	Standard	Custom options
		Brushed aluminium	Custom dimensions, materials or finishes are available upon request and subject to surcharge. RAL colours outside NM3's standard selection subject to surcharge.
	Upholstery	Standard	Powder-Coated Finishes:
		• Nautic – Indoor/ Outdoor Fabric Pralina Granata Blue • Pure Linen Beige Green Anthracite	Black White Ruby Red Capri Bluee Dark Grey Mustard Bottle Green
		Premium	
		• Velvet Tortora Bluee Navy Sage • Leather Black Ecru Matte Grey	

Technical drawing Axonometry





↙ NM30.3 Lounge Chair • Metal finish: Brushed aluminium;
upholstery finish: Leather, Black • Ph. Piercarlo Quecchia



→ NM30.3 Lounge Chair • Metal finish: Brushed aluminium;
upholstery finish: Pure Linen, Green



↙ NM30.3 Lounge Chair • Metal finish: Brushed aluminium;
upholstery finish: Leather, Black



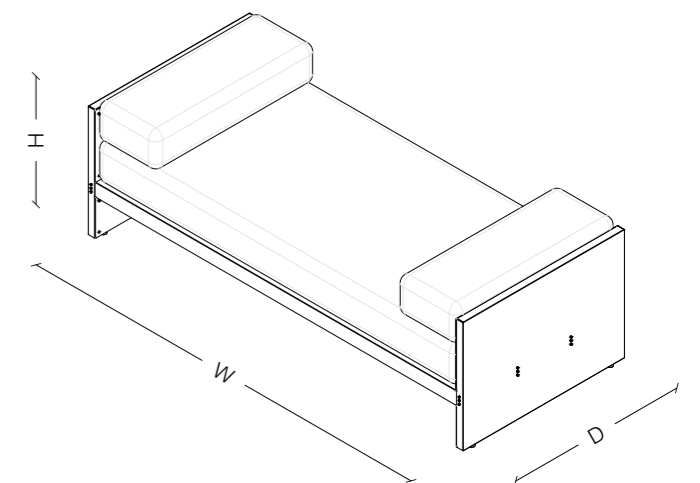
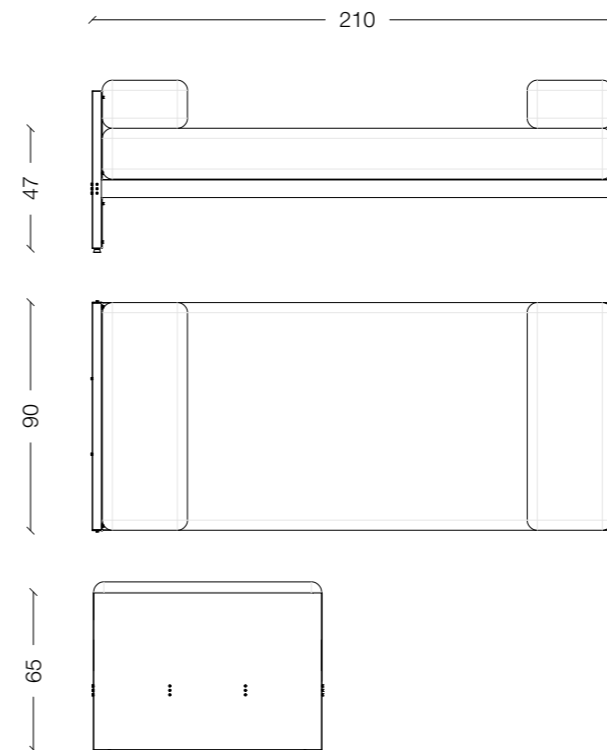
NMAM is a daybed defined by a folded stainless steel structure, developed in collaboration with Alexander May. The frame is constructed from laser-cut stainless steel sheets, mechanically assembled to form a continuous structural volume supporting the upholstered surface. The reflective or satin finish reinforces the geometric clarity of the form, while the upholstery introduces contrast and material depth.

Year **2024** Product Category **Daybed** Available measures W210 x D90 x H65cm seat height 47 cm

Feet Adjustable feet, H1 cm Finishes (in the image) Mirror stainless steel structure, black leather upholstery.

Available finishes	Metal	Essential Zinc-plated iron	Custom options Custom dimensions, materials or finishes are available upon request and subject to surcharge. RAL colours outside NM3's standard selection subject to surcharge.
		Standard Mirror stainless steel Satin stainless steel	Powder-Coated Finishes: Black White Ruby Red Capri Bluee Dark Grey Mustard Bottle Green
	Upholstery	Premium Supermirror stainless steel	
		Standard • Nautic – Indoor/ Outdoor Fabric Pralina Granata Blue • Pure Linen Beige Green Anthracite	
		Premium • Velvet Tortora Bluee Navy Sage • Leather Black Ecru Matte Grey	

Technical drawing Axonometry





↙ NMAM Daybed • Metal finish: Mirror Stainless Steel; upholstery finish: Leather, Black

↓ NMAM Daybed • Metal finish: Mirror Stainless Steel

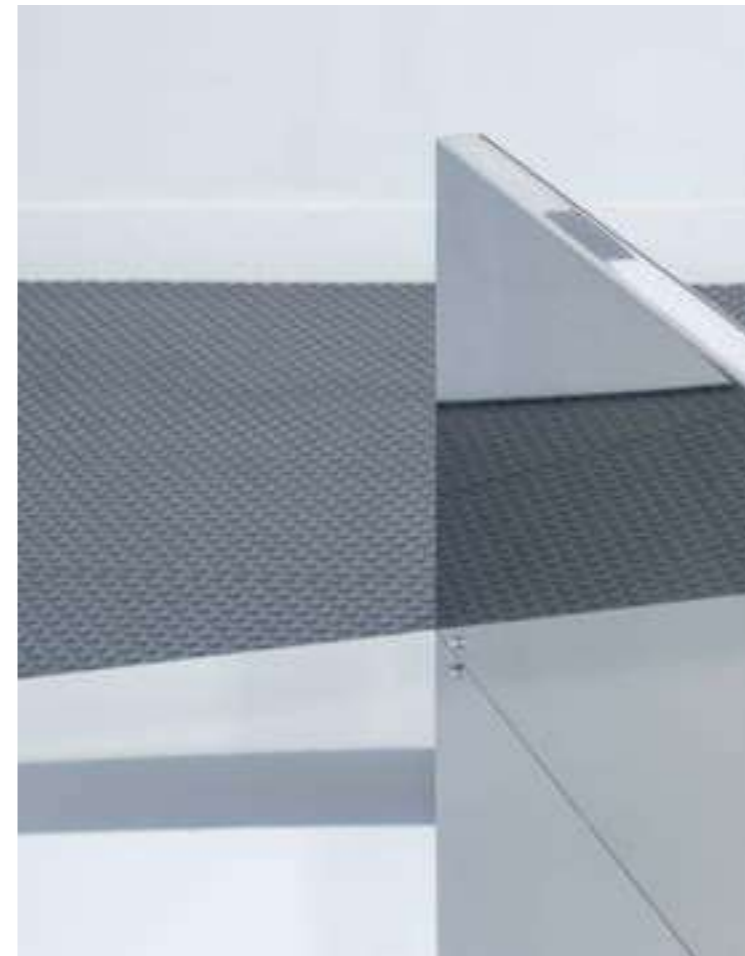


Index²



↘ NMAM Daybed • Metal finish: Mirror Stainless Steel; upholstery finish: Nautic, Granata

↓ NMAM Daybed • Metal finish: Mirror Stainless Steel



59

Seating & Bed

Index²

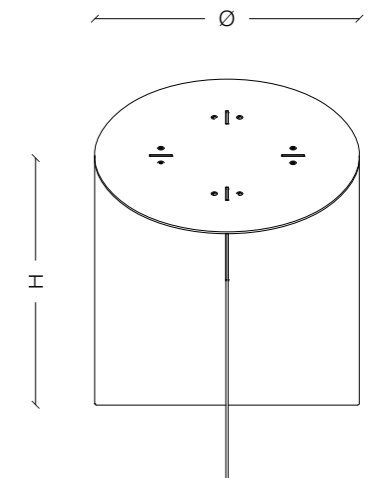
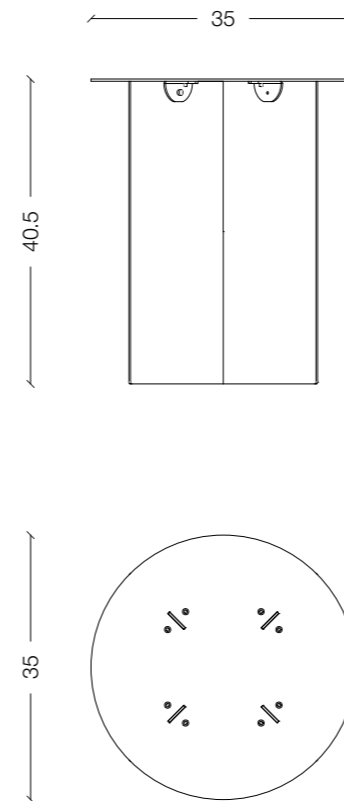


NM06 is a dual-use object functioning as both stool and side table. The construction is defined by laser-cut metal sheets assembled through intersecting geometries, without welding. The elements are secured by a concealed connector system integrated within the structure. An intersecting base supports a rounded circular top, forming a compact and balanced volume. Fully demountable, the object can be reduced to flat metal components for efficient transport and storage.

Year	Product Category	Available measures	Feet	Finishes (in the image)
2021	Side table	Ø35 x H40.5 cm	Stands directly on the floor	Mirror stainless steel

Available finishes	Metal	Essential	Custom options
		Zinc-plated iron	Custom dimensions, materials or finishes are available upon request and subject to surcharge. RAL colours outside NM3's standard selection subject to surcharge.
		Standard	
		Mirror stainless steel	
			Powder-Coated Finishes:
			Black
			White
			Ruby Red
			Capri Bluee
			Dark Grey
			Mustard
			Bottle Green

Technical drawing	Axonometry
-------------------	------------





↙ NM06 • Metal finish: Mirror Stainless Steel • Ph. Delfino Sisto Legnani

↓ NM06 • Metal finish: Mirror Stainless Steel

↘ NM06 • Metal finish: Mirror Stainless Steel



↓ NM06 • Powder-Coated iron, colour: Mustard



Index²



Tables

Index²

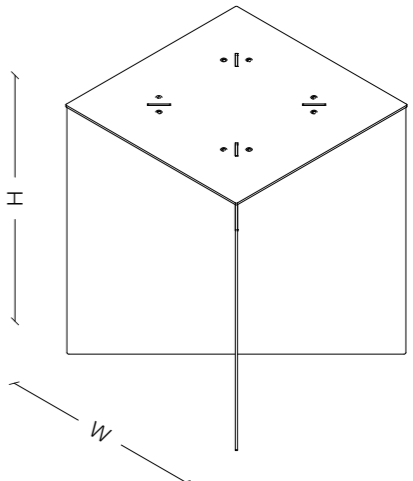
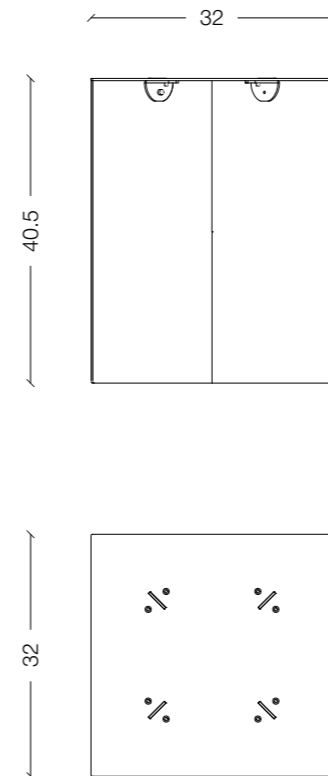


NM07 is a dual-use object functioning as both stool and side table. The construction is defined by laser-cut metal sheets assembled through intersecting geometries, without welding. The elements are stabilised by a concealed connector system integrated within the structure. An intersecting base supports a square top, forming a compact and balanced volume. Fully demountable, the object can be reduced to flat metal components for efficient transport and storage.

Year **2021** Product Category **Side table** Available measures **W32 x D32 x H40.5 cm** Feet **Stands directly on the floor** Finishes (in the image) **Mirror stainless steel**

- Available finishes **Metal**
- Essential**
- Zinc-plated iron
- Standard**
- Mirror stainless steel
- Custom options**
- Custom dimensions, materials or finishes are available upon request and subject to surcharge. RAL colours outside NM3's standard selection subject to surcharge.
- Powder-Coated Finishes:**
- Black
- White
- Ruby Red
- Capri Bluee
- Dark Grey
- Mustard
- Bottle Green

Technical drawing Axonometry





↙ NM07 • Metal finish: Mirror Stainless Steel • Ph. Delfino Sisto Legnani

↘ NM07 • Metal finish: Mirror Stainless Steel • Ph. Ambra Crociani



↓ NM07 • Powder-Coated iron; colour: Bottle Green

↓ NM07 • Metal finish: Mirror Stainless Steel • Ph. Ambra Crociani



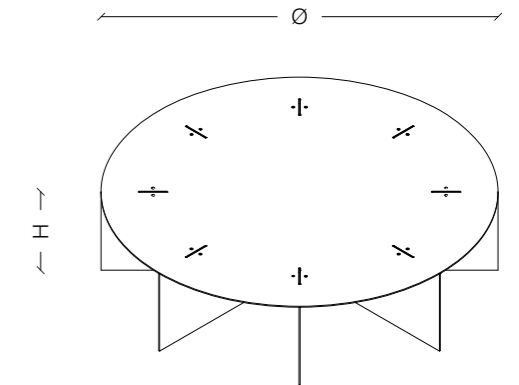
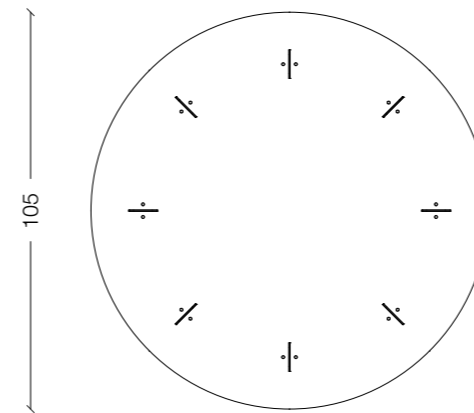
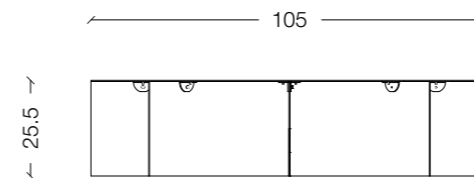


NM02 is a coffee table from NM3's inaugural collection. The construction is based on laser-cut stainless steel plates assembled through interlocking geometries, without welding. The elements are secured by a concealed connector system integrated within the volume. The structure is composed of five interlocking plates—four forming the base and one defining the top—resulting in a clear and compact assembly. Fully demountable, the table can be reduced to flat components for efficient transport and storage.

Year	Product Category	Available measures	Feet	Finishes (in the image)
2021	Coffee table	Ø105 x H25.5 cm	Stands directly on the floor	Mirror stainless steel

Available finishes	Metal	Essential	Custom options
		Zinc-plated iron	Custom dimensions, materials or finishes are available upon request and subject to surcharge. RAL colours outside NM3's standard selection subject to surcharge.
		Standard	
		Mirror stainless steel	
			Powder-Coated Finishes:
			Black
			White
			Ruby Red
			Capri Bluee
			Dark Grey
			Mustard
			Bottle Green

Technical drawing	Axonometry
-------------------	------------





↙ NM02 • Metal finish: Mirror Stainless Steel • Ph. Helenio Barbetta

↘ NM02 • Powder-Coated iron; colour: Capri Blue



↓ NM02 • Metal finish: Mirror Stainless Steel • Ph. Helenio Barbetta

↓ NM02 • Metal finish: Mirror Stainless Steel





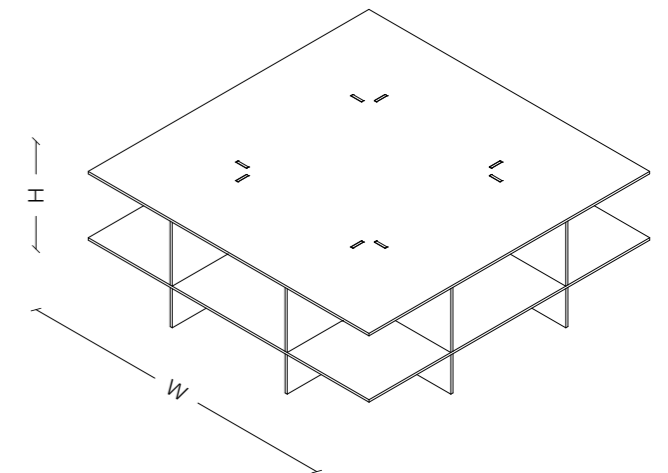
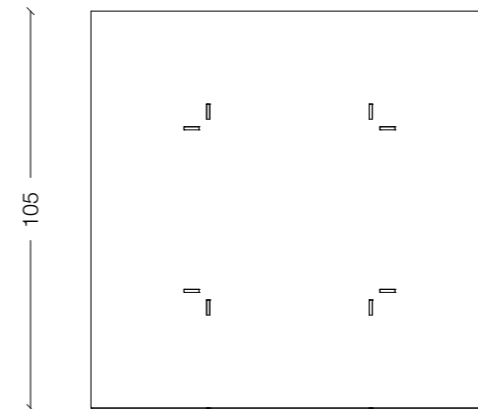
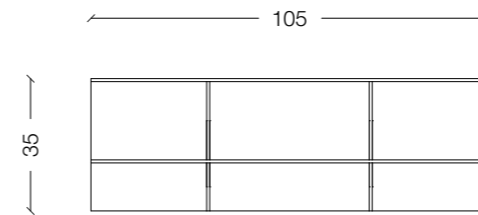
NM08 is a coffee table from NM3's inaugural collection. The construction is based on laser-cut aluminium plates assembled through interlocking geometries, without welding or additional fixing elements. Horizontal and vertical components intersect to form a square volume. Three open storage compartments are integrated at mid-height, maintaining continuity with the overall structural logic. Fully demountable, the table can be reduced to flat aluminium elements for efficient transport and storage.

Year	Product Category	Available measures	Feet	Finishes (in the image)
2021	Coffee table	W105 x D105 x H35 cm	Stands directly on the floor	Brushed aluminium

Available finishes	Metal	Standard	Custom options
		Satin aluminium	Custom dimensions, materials or finishes are available upon request and subject to surcharge. RAL colours outside NM3's standard selection subject to surcharge.

- Powder-Coated Finishes:
- Black
 - White
 - Ruby Red
 - Capri Bluee
 - Dark Grey
 - Mustard
 - Bottle Green

Technical drawing	Axonometry
-------------------	------------





↙ NM08 • Powder-Coated iron, colour: Black

↓ NM08 • Metal finish: Satin aluminium

↘ NM08 • Metal finish: Satin aluminium



↓ NM08 • Metal finish: Satin aluminium



Index²



75

Tables

Index²



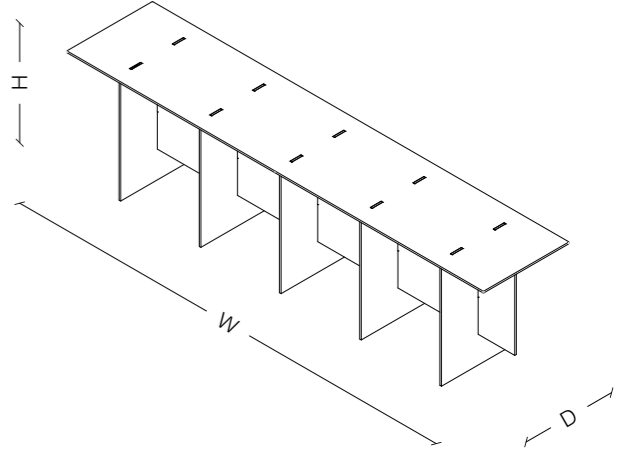
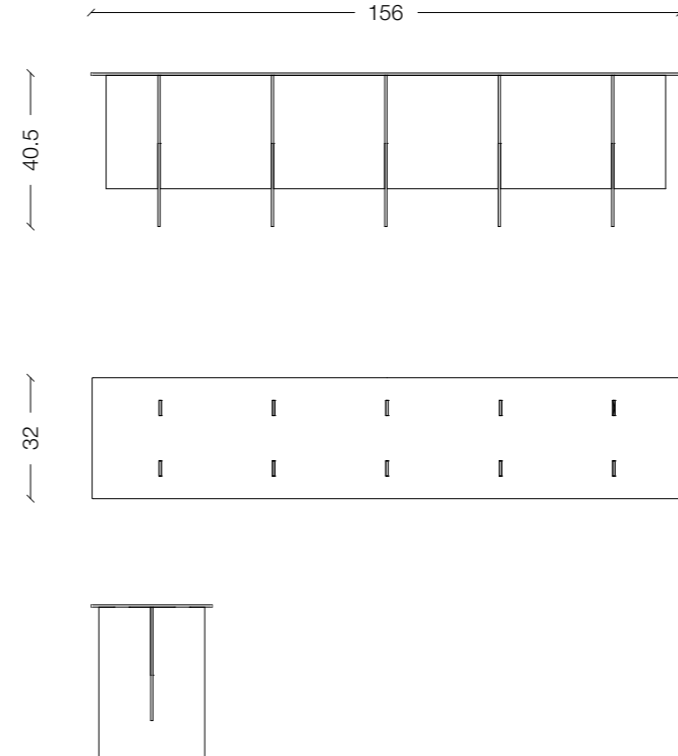
NM11 is a dual-use object functioning as both bench and low console. The structure is defined by a linear aluminium top intersected by a central vertical slab running along the length of the piece. The elements are permanently joined through welding, forming a rigid and continuous structural system. The resulting volume is defined by material continuity and structural clarity, suitable for seating or as a low console surface.

Year **2021** Product Category **Console** Available measures W156 x D32 x H40.5 cm

Feet Stands directly on the floor Finishes (in the image) Satin aluminium

Available finishes Metal Standard Satin aluminium Custom options Custom dimensions, materials or finishes are available upon request and subject to surcharge. RAL colours outside NM3's standard selection subject to surcharge. Powder-Coated Finishes: Black White Ruby Red Capri Bluee Dark Grey Mustard Bottle Green

Technical drawing Axonometry





↶ NM11 • Metal finish: Satin aluminium

→ NM011 • Powder-Coated iron, colour: Capri Blue



→ NM11 • Metal finish: Satin aluminium



↶ NM011 • Powder-Coated iron, colour: Capri Blue

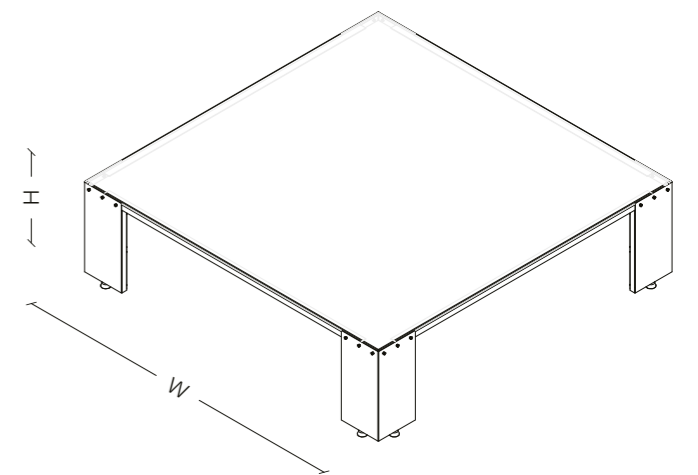
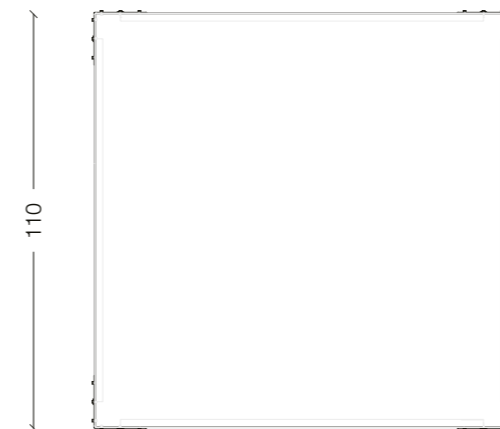
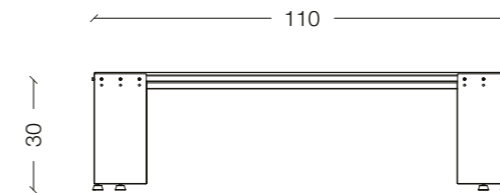




Available finishes	Metal	Essential Zinc-plated iron	Custom options Custom dimensions, materials or finishes are available upon request and subject to surcharge. RAL colours outside NM3's standard selection subject to surcharge.
		Standard Mirror stainless steel Satin stainless steel	Powder-Coated Finishes: Black White
		Premium Supermirror stainless steel	Ruby Red Capri Bluee Dark Grey
	Marble	Standard Travertino Carrara Black Granite	Mustard Bottle Green
		Premium Calacatta Viola Rosso Levanto Verde Guatemala	
	Glass	Standard Clear Glass	
		Premium Smoke transparent	

NM17 is a square coffee table defined by a precise metal frame and by NM3's signature exposed screws. The structure is based on a dry-assembled system developed around box-section components. Vertical and horizontal elements form a rigorous perimeter, expressing clarity and construction logic. The base is fully demountable and can be reduced to modular components for efficient transport and storage. The table is available in metal or with a glass or marble top in standard and premium finishes.

Technical drawing Axonometry



Year	Product Category	Available measures	Feet	Finishes (in the image)
2025	Coffee table	W110 x D110 x H30 cm	Adjustable feet, H1 cm	Mirror stainless steel base, extra-clear glass top



↙ NM17 • Metal finish: Mirror Stainless Steel; top finish: Clear Glass

↓ NM17 • Metal finish: Mirror Stainless Steel; top finish: Clear Glass



Index²

↘ NM17 • Metal finish: Mirror Stainless Steel; top finish: Verde Guatemala marble



↓ NM17 • Metal finish: Mirror Stainless Steel; top finish: Clear Glass



83

Tables

Index²

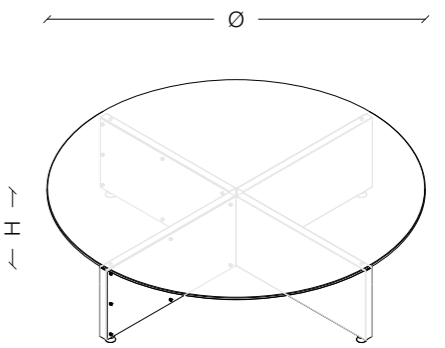


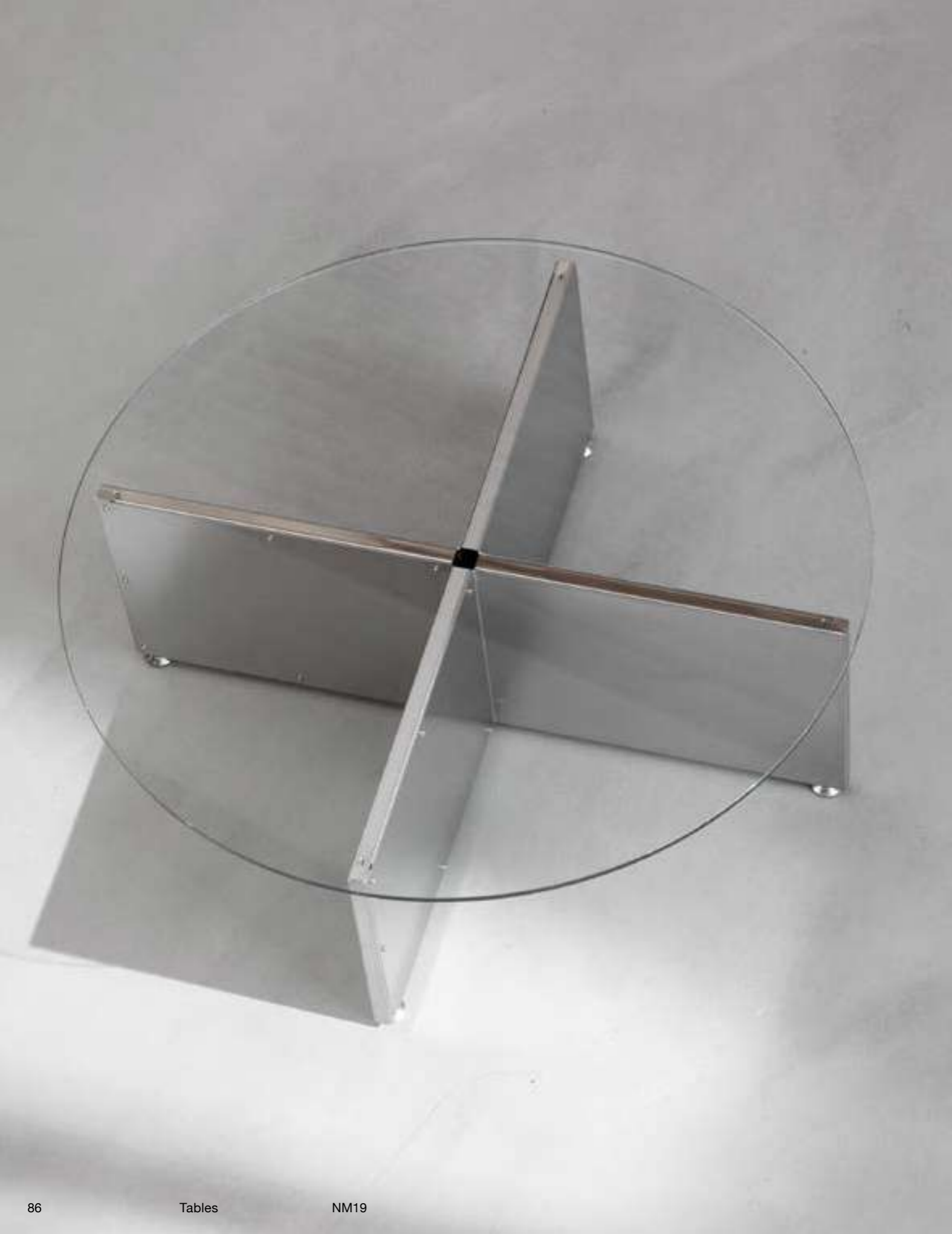
NM19 is a coffee table defined by an essential circular configuration. The structure is based on a dry-assembled metal system developed around box-section components. Vertical elements support a circular glass top, maintaining visual lightness while preserving structural clarity. The base is fully demountable and can be reduced to modular components for efficient transport and storage. The glass top is shipped separately in a wooden crate. The base is fully demountable and can be reduced to modular components for efficient transport and storage. The glass top is shipped separately in a wooden crate.

Year	Product Category	Measures (in the image)	Feet	Finishes (in the image)
2023	Coffee table	Ø100 x H24 cm	Adjustable feet, H1 cm	Mirror stainless steel base, Transparent glass top
		Available measures		
		Ø80 x H30 cm		
		Ø50 x H35 cm		

Available finishes	Metal	Essential Zinc-plated iron	Custom options Custom dimensions, materials or finishes are available upon request and subject to surcharge. RAL colours outside NM3's standard selection subject to surcharge.
		Standard Mirror stainless steel Satin stainless steel	Powder-Coated Finishes: Black White Ruby Red Capri Bluee Dark Grey Mustard Bottle Green
	Marble	Premium Supermirror stainless steel	
		Standard Travertino Carrara Black Granite	
		Premium Calacatta Viola Rosso Levanto Verde Guatemala	
	Glass	Standard Clear Glass	
		Premium Smoke transparent	

Technical drawing Axonometry





↙ NM19 • Metal finish: Mirror Stainless Steel; top finish: Clear Glass • Ph. Louis De Belle

→ NM19 • Metal finish: Satin Stainless Steel; top finish: Carrara Marble



→ NM19 • Metal finish: Satin Stainless Steel; top finish: Clear Glass



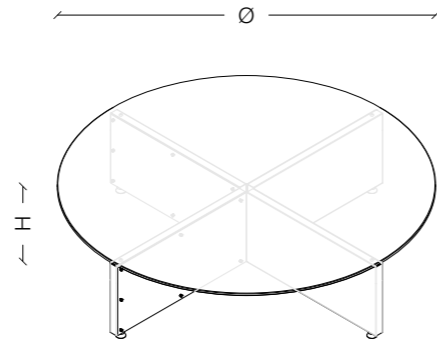
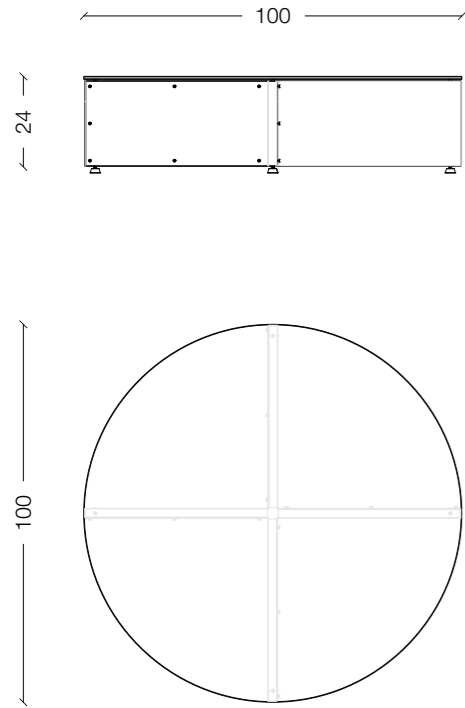
↙ NM19 • Metal finish: Satin Stainless Steel; top finish: Smoke Transparent Glass

NM19

Technical Draw

Axonometry

Measures
Ø100 x H24 cm

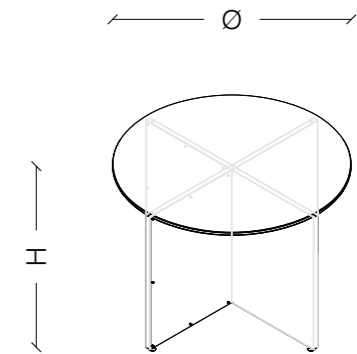
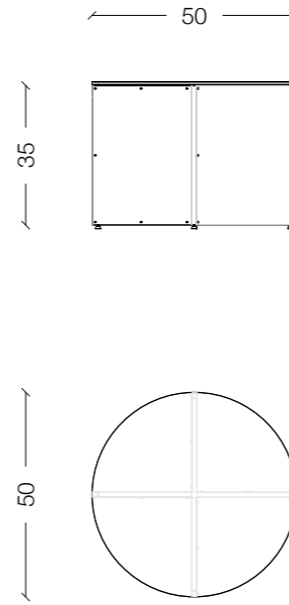


NM19.2

Technical Draw

Axonometry

Measures
Ø50 x H35 cm

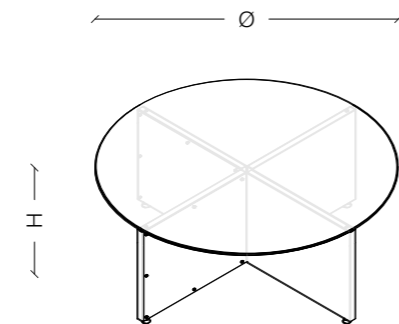
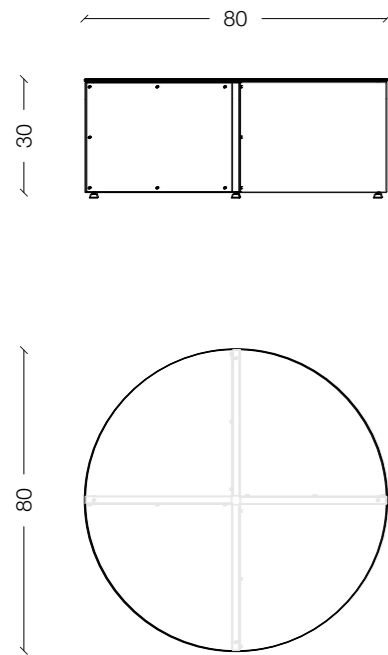


NM19.1

Technical Draw

Axonometry

Measures
Ø80 x H30 cm



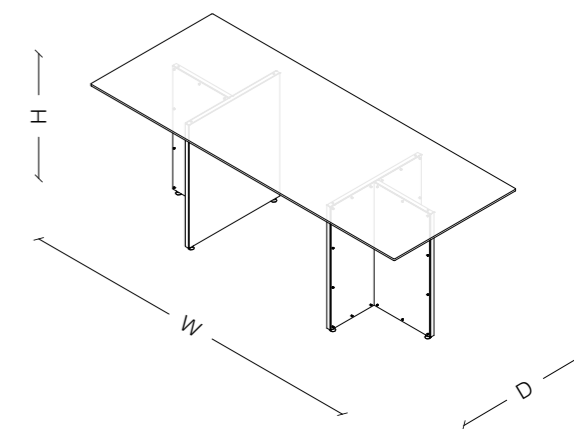
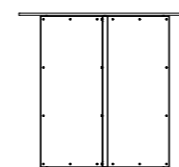
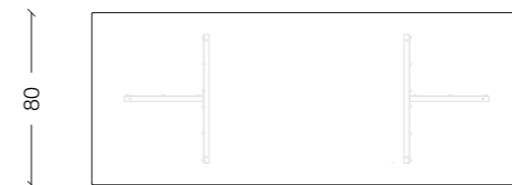
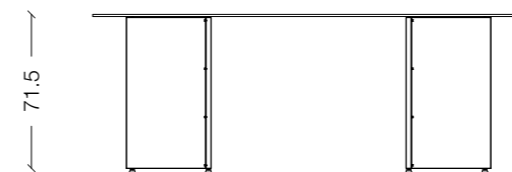
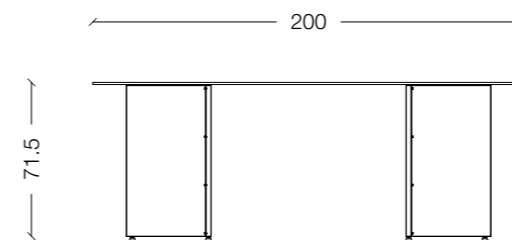


NM20 is a dining table defined by an essential rectangular configuration. It can be used as a desk or as a dining table, accommodating up to six / eight people. The structure is based on a dry-assembled metal system developed around box-section components. Vertical elements support a rectangular glass top, maintaining visual lightness while preserving structural clarity. The base is fully demountable and can be reduced to modular components for efficient transport and storage. The glass top is shipped separately in a wooden crate.

Year	Product Category	Available measures	Feet	Finishes (in the image)
2023	Dining table	W200 x D80 H71.5 cm	Adjustable feet, H1 cm	Mirror stainless steel base, Transparent glass top

Available finishes	Metal	Essential	Custom options
		Zinc-plated iron	Custom dimensions, materials or finishes are available upon request and subject to surcharge. RAL colours outside NM3's standard selection subject to surcharge.
		Standard	
		Mirror stainless steel	
		Satin stainless steel	
		Premium	
		Supermirror stainless steel	
			Powder-Coated Finishes:
			Black
			White
			Ruby Red
			Capri Bluee
			Dark Grey
			Mustard
			Bottle Green
	Marble	Standard	
		Travertino	
		Carrara	
		Black Granite	
		Premium	
		Calacatta Viola	
		Rosso Levanto	
		Verde Guatemala	
	Glass	Standard	
		Clear Glass	
		Premium	
		Smoke transparent	

Technical drawing Axonometry





↙ NM20 • Metal finish: Mirror Stainless Steel; top finish: Clear Glass • Ph. Michela Pedranti

↓ NM20 • Metal finish: Mirror Stainless Steel; top finish: Clear Glass • Ph. Michela Pedranti



Index²

↘ NM20 • Metal finish: Mirror Stainless Steel; top finish: Travertine marble



↓ NM20 • Metal finish: Mirror Stainless Steel; top finish: Clear Glass • Ph. Michela Pedranti



93

Tables

Index²

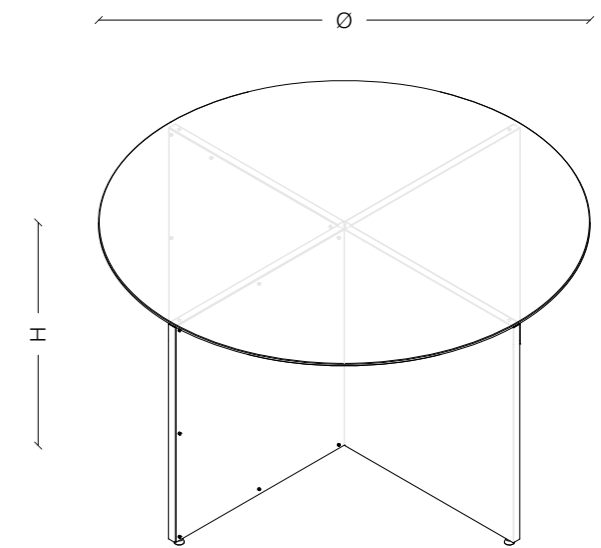


NM15 is a dining table defined by an essential circular or square configuration, accommodating up to four people. The structure is based on a dry-assembled metal system developed around box-section components. Vertical elements support a circular or square glass top, maintaining visual lightness while preserving structural clarity. The base is fully demountable and can be reduced to modular components for efficient transport and storage. The glass top is shipped separately in a wooden crate.

Year	Product Category	Measures (in the image)	Feet	Finishes (in the image)
2023	Dining table	Ø130 x H71.5 cm	Adjustable feet, H1 cm	Supermirror stainless steel base, Transparent glass top
		Available measures		
		W130 x D130 x H71.5 cm		

Available finishes	Metal	Essential Zinc-plated iron	Custom options Custom dimensions, materials or finishes are available upon request and subject to surcharge. RAL colours outside NM3's standard selection subject to surcharge.
		Standard Mirror stainless steel Satin stainless steel	Powder-Coated Finishes: Black White Ruby Red Capri Bluee Dark Grey Mustard Bottle Green
		Premium Supermirror stainless steel	
	Marble	Standard Travertino Carrara Black Granite	
		Premium Calacatta Viola Rosso Levanto Verde Guatemala	
	Glass	Standard Clear Glass	
		Premium Smoke transparent	

Technical drawing Axonometry



↳ NM15 Round • Metal finish: Supermirror Stainless Steel; top finish: Carrara marble



↳ NM15 Squared • Metal finish: Supermirror Stainless Steel; top finish: Rosso Levanto marble

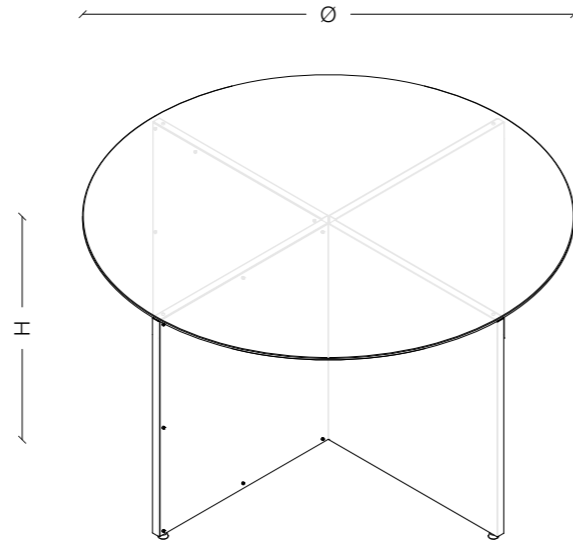
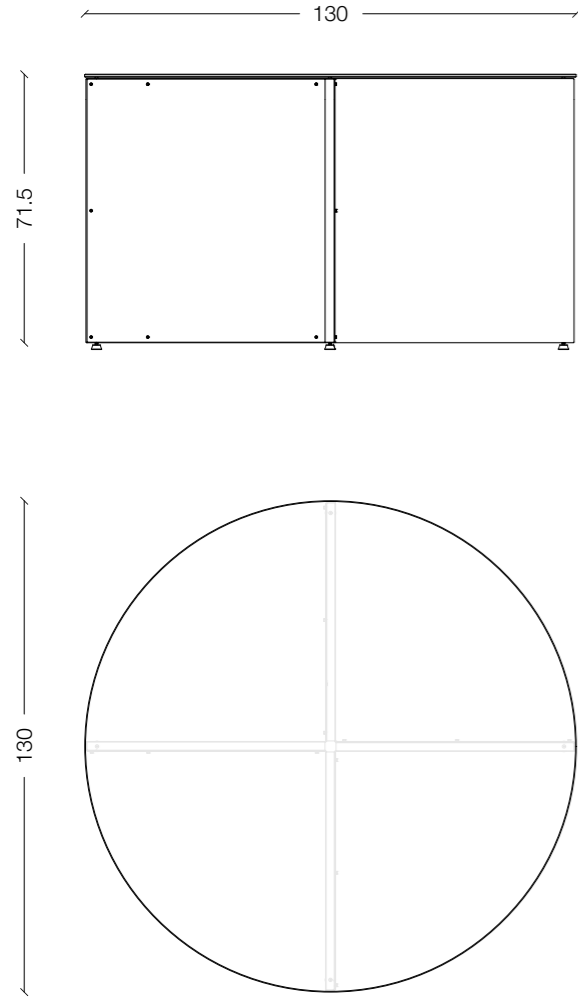


NM15

Technical Draw

Axonometry

Measures
Ø130 x H71.5 cm

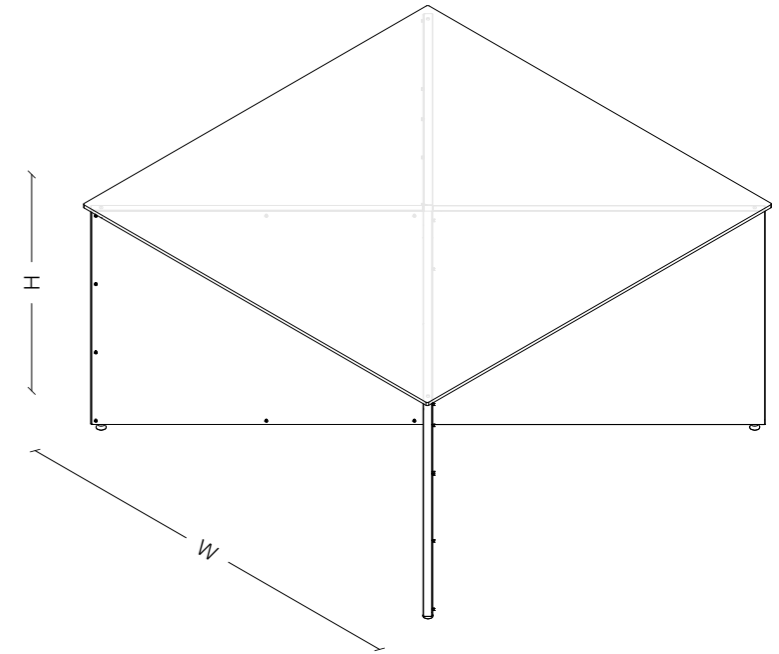
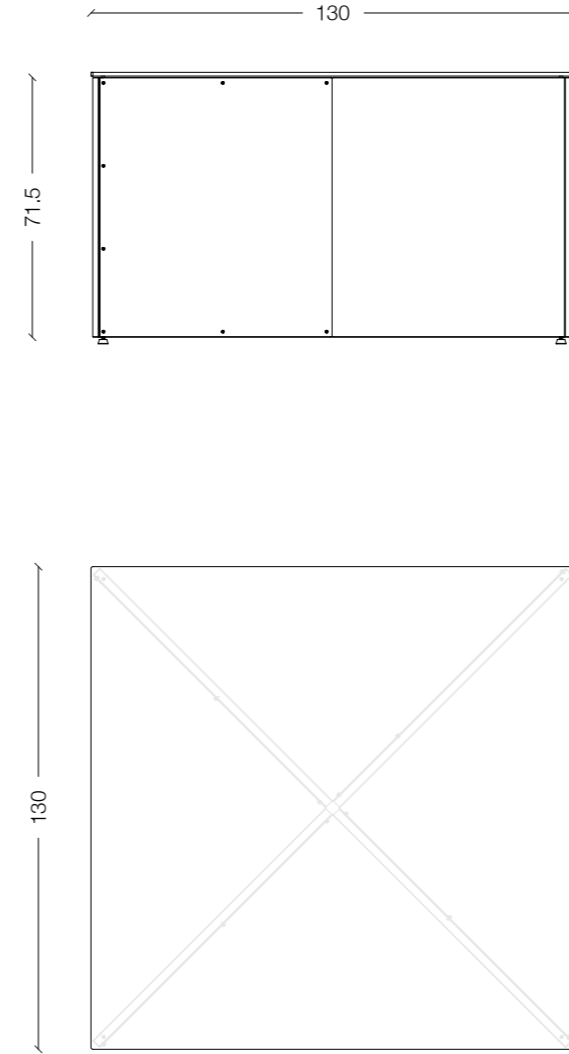


NM15.1

Technical Draw

Axonometry

Measures
W130 x D130 x H71.5
cm





↙ NM21 • Metal finish: Zinc-Plated iron • Ph. Ivan Stolbovoi

↓ NM21 • Metal finish: Zinc-Plated iron



Index²

↘ NM21 • Metal finish: Mirror Stainless Steel, top finish: Black Granite marble



↓ NM21 • Metal finish: Satin Stainless Steel



103

Tables

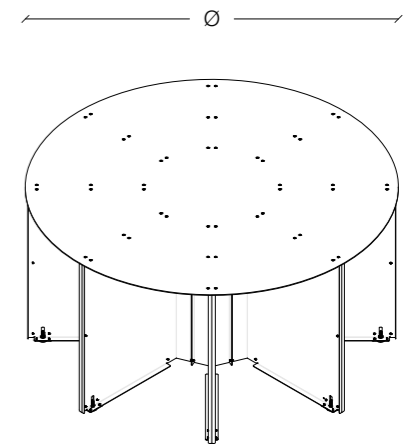
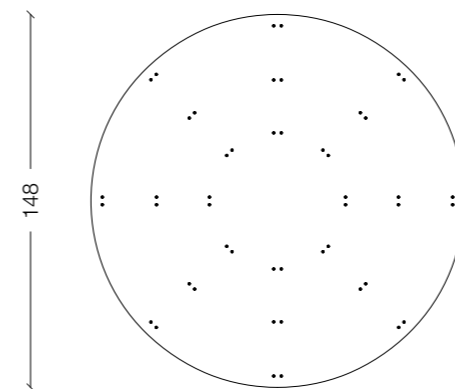
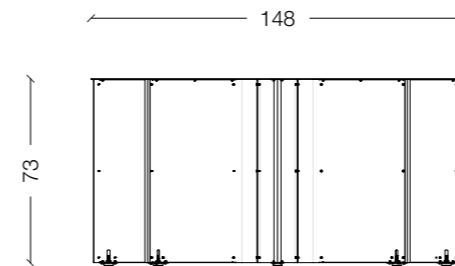
Index²



Available finishes	Metal	Essential Zinc-plated iron	Custom options Custom dimensions, materials or finishes are available upon request and subject to surcharge. RAL colours outside NM3's standard selection subject to surcharge.
		Standard Mirror stainless steel	Powder-Coated Finishes:
		Premium Supermirror stainless steel	Black White Ruby Red Capri Bluee Dark Grey Mustard Bottle Green

NM45 is a stainless steel table, designed to be combined with stools, distinguished for its minimalistic lines and architectural structure. The construction is based on laser-cut stainless steel plates assembled through interlocking geometries, without welding. The elements are secured by a concealed connector system integrated within the volume. A radial configuration of four identical components forms the base and supports a circular top. Fully demountable, the table can be reduced to flat metal elements for efficient transport and storage.

Technical drawing Axonometry



Year	Product Category	Available measures	Feet	Finishes (in the image)
2021	Dining table	Ø148 x H73 cm	Stainless steel feet, H2.5 cm	Supermirror stainless steel



↙ NM45 • Metal finish: Mirror Stainless Steel • Ph. Gerhardt Kellermann

↓ NM45 • Metal finish: Mirror Stainless Steel • Ph. Gerhardt Kellermann



Index²

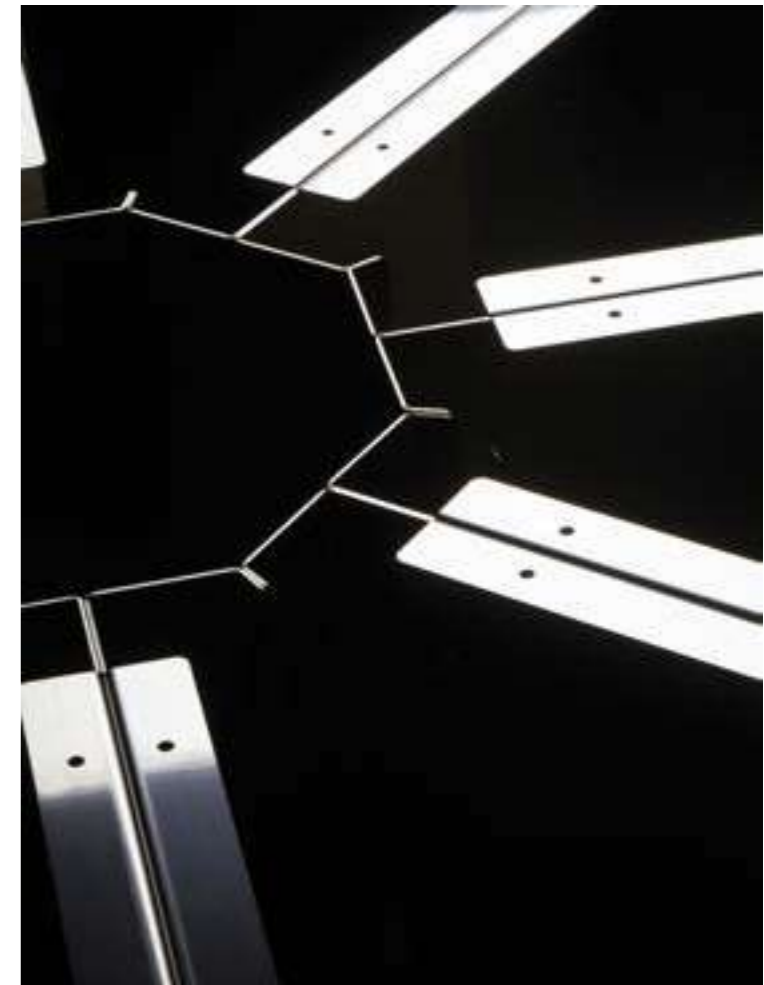
↘ NM45 • Metal finish: Mirror Stainless Steel • Ph. Gerhardt Kellermann

↓ NM45 • Metal finish: Mirror Stainless Steel • Ph. Gerhardt Kellermann



107

Tables



Index²

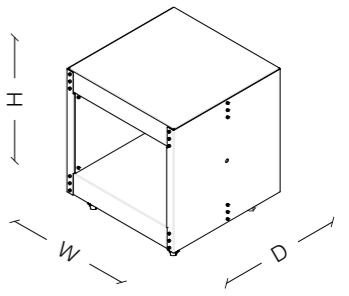


NM23 is a compact modular object defined by an essential architectural volume. The structure is based on a dry-assembled metal system developed around box-section components. Conceived as a versatile unit, it can function as a stool—also available with upholstery—or as a storage element that can be configured in one, two, or three stacked compartments. It can rest on stable feet or be fitted with small integrated wheels for mobility. Fully demountable, NM23 can be reduced to modular components for efficient transport, storage, and reconfiguration. Designed as a repeatable unit, it operates across domestic, office, and gallery environments as a seating, storage, or support element.

Year	Product Category	Measures (in the image)	Feet	Finishes (in the image)
2023	Storage unit	W40 x D40 x H40 cm	Available with adjustable feet or wheels	Mirror stainless steel; Wheels or adjustable feet
		Available measures		
		W40 x D40 x H73 cm		
		W40 x D40 x H106 cm		

Available finishes	Metal	Essential Zinc-plated iron	Custom options Custom dimensions, materials or finishes are available upon request and subject to surcharge. RAL colours outside NM3's standard selection subject to surcharge.
		Standard Mirror stainless steel Satin stainless steel	Powder-Coated Finishes: Black White Ruby Red Capri Bluee Dark Grey Mustard Bottle Green
		Premium Supermirror stainless steel	
	Upholstery	Standard • Nautic – Indoor/ Outdoor Fabric Pralina Granata Blue • Pure Linen Beige Green Anthracite	
		Premium • Velvet Tortora Bluee Navy Sage • Leather Black Ecru Matte Grey	
	Glass	Standard Clear Glass	
		Premium Smoke transparent	

Technical drawing Axonometry





↙ NM23 • Metal finish: Mirror Stainless Steel • Ph. Daniel Farò • Style by Greta Cevenini

↓ NM23 • Metal finish: Mirror Stainless Steel • Ph. Daniel Farò • Style by Greta Cevenini



Index²

↘ NM23.2 • Metal finish: Mirror Stainless Steel



↓ NM23 - Metal finish: Mirror Stainless Steel; upholstery finish: Velvet, Sage



111

System & Storage furniture

Index²

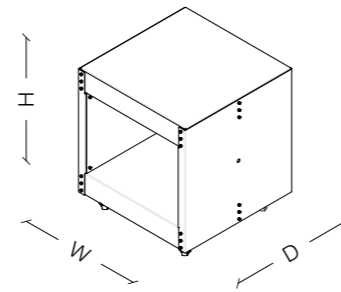
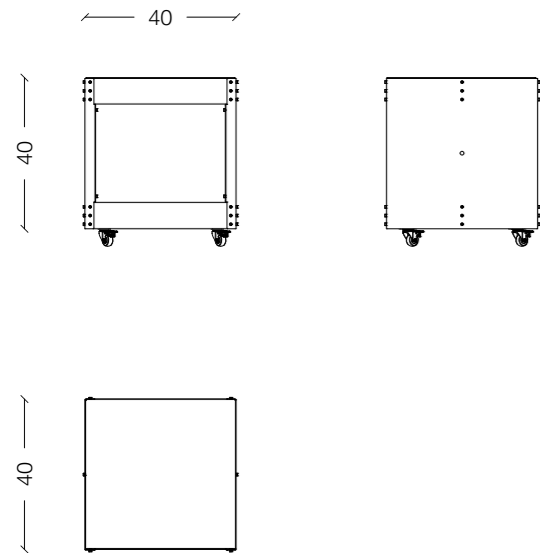
NM23

Technical Draw

Axometry

Measures

W40 x D40 x H40 cm



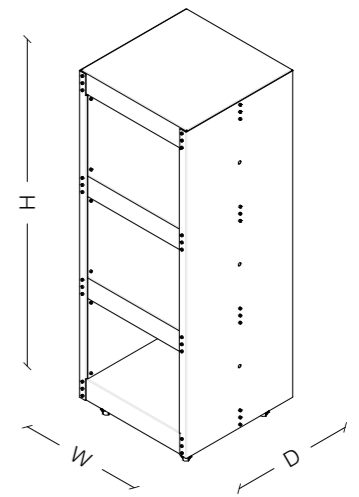
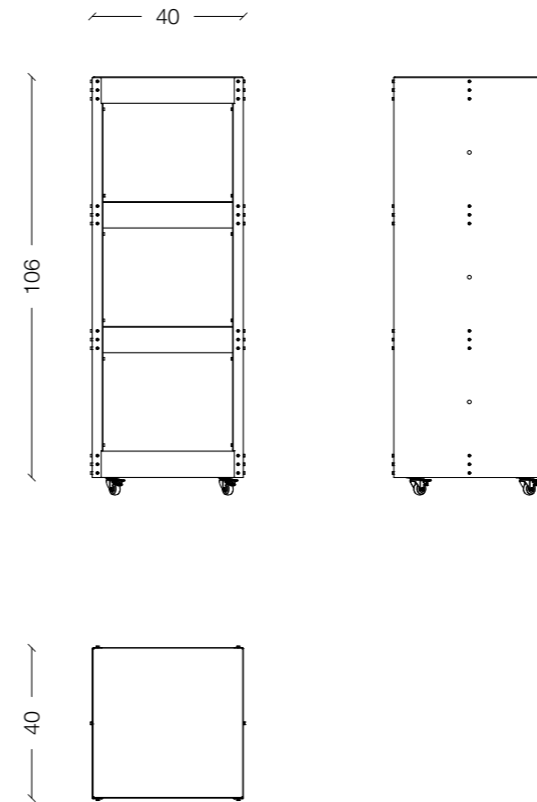
NM23.2

Technical Draw

Axometry

Measures

W40 x D40 x H106 cm



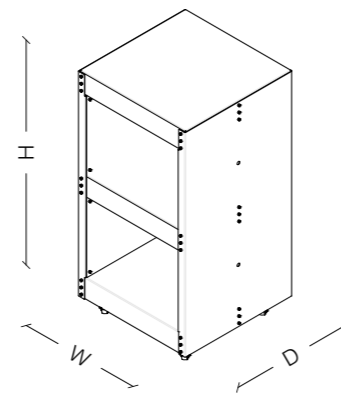
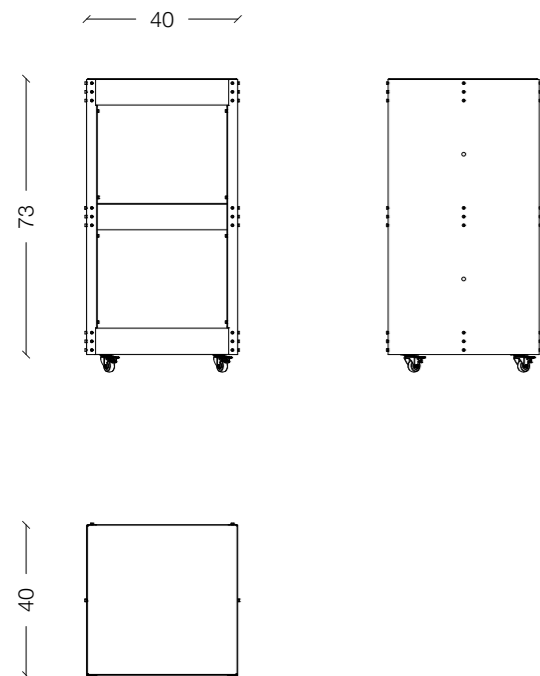
NM23.1

Technical Draw

Axometry

Measures

W40 x D40 x H73 cm



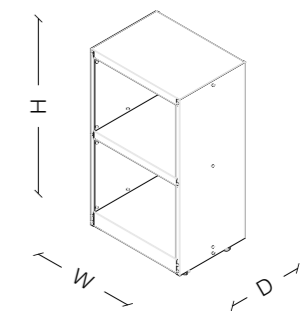


NM24 is a mobile trolley defined by an essential architectural volume. The structure is based on a dry-assembled metal system developed around box-section components. Conceived as a trolley or storage unit, it is available with two, three, or four compartments, allowing flexible configurations across different uses. The top can be specified flat or recessed. It can rest on stable feet or be fitted with small integrated wheels for mobility. Fully demountable, NM24 can be reduced to modular components for efficient transport, storage, and reconfiguration. Designed to move through space, it operates as a service unit, storage element, or display surface across domestic, office, and gallery environments.

Year 2023	Product Category Storage unit	Measures (in the image) W50 x D37 x H85.5 cm	Feet Available with adjustable feet or wheels	Finishes (in the image) Mirror stainless steel; Wheels or adjustable feet
		Available measures W50 x D37 x H125 cm W50 x D37 x H164 cm		

Available finishes	Metal	Essential Zinc-plated iron	Custom options Custom dimensions, materials or finishes are available upon request and subject to surcharge. RAL colours outside NM3's standard selection subject to surcharge.
		Standard Mirror stainless steel Satin stainless steel	Powder-Coated Finishes: Black White Ruby Red Capri Bluee Dark Grey Mustard Bottle Green
	Upholstery	Premium Supermirror stainless steel	
		Standard • Nautic – Indoor/ Outdoor Fabric Pralina Granata Blue • Pure Linen Beige Green Anthracite	
		Premium • Velvet Tortora Bluee Navy Sage • Leather Black Ecru Matte Grey	
	Glass	Standard Clear Glass	
		Premium Smoke transparent	

Technical drawing Axonometry





↙ NM24 • Metal finish: Mirror Stainless Steel



→ NM24 • Powder-Coated iron, colour: Ruby Red



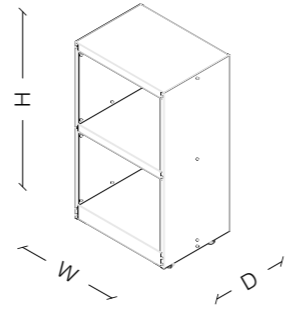
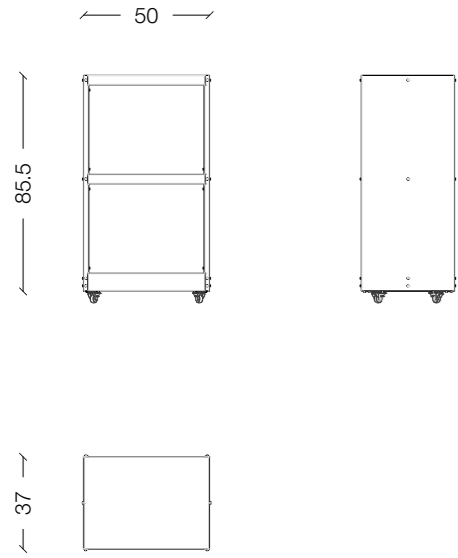
↙ NM24 • Metal finish: Mirror Stainless Steel, top finish: Rosso Levanto marble

NM24

Technical Draw

Axometry

Measures
W50 x D37 x H85.5 cm

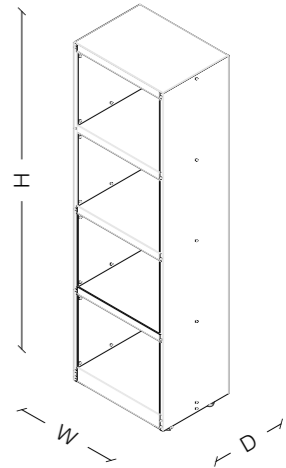
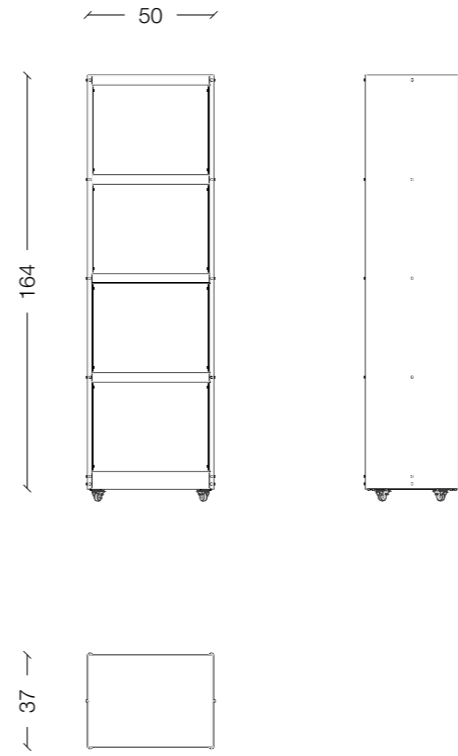


NM24.2

Technical Draw

Axometry

Measures
W50 x D37 x H164 cm

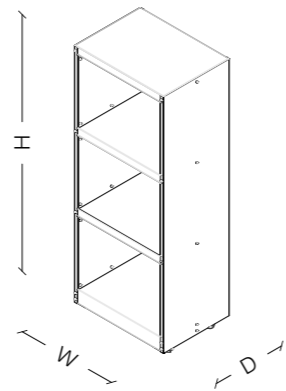
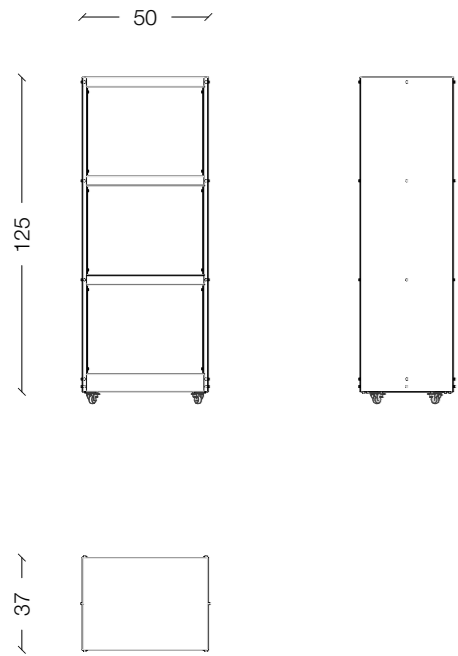


NM24.1

Technical Draw

Axometry

Measures
W50 x D37 x H125 cm





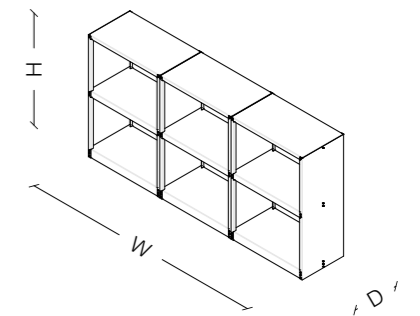
Available finishes	Metal	Essential Zinc-plated iron	Custom options Custom dimensions, materials or finishes are available upon request and subject to surcharge. RAL colours outside NM3's standard selection subject to surcharge.
		Standard Mirror stainless steel Satin stainless steel	Powder-Coated Finishes: Black White
		Premium Supermirror stainless steel	Ruby Red Capri Bluee Dark Grey Mustard Bottle Green
	Marble	Standard Travertino Carrara Black Granite	
		Premium Calacatta Viola Rosso Levanto Verde Guatemala	

NM25 is a console conceived as a storage unit, defined by a linear horizontal development. The structure is based on a dry-assembled metal system developed around box-section components. It is available in configurations with four, six, eight, or ten compartments, accommodating books, vinyl records, or small objects. The top can also be specified in marble from NM3's standard selection. Fully demountable, NM25 can be reduced to modular components for efficient transport and storage.

Technical drawing Axonometry

Year	Product Category	Measures (in the image)
2023	Console	W180 x D35 x H89 cm
	Available measures	W120 x D35 x H89 cm W240 x D35 x H89 cm W300 x D35 x H89 cm

Feet	Finishes (in the image)
Available with adjustable feet or wheels	Mirror stainless steel





↙ NM25 • Metal finish: Mirror Stainless Steel

↓ NM25 • Metal finish: Satin Stainless Steel; top finish: Verde Guatemala marble



Index²

↘ NM25 • Metal finish: Mirror Stainless Steel

↓ NM25 • Metal finish: Mirror Stainless Steel



123

System & Storage furniture



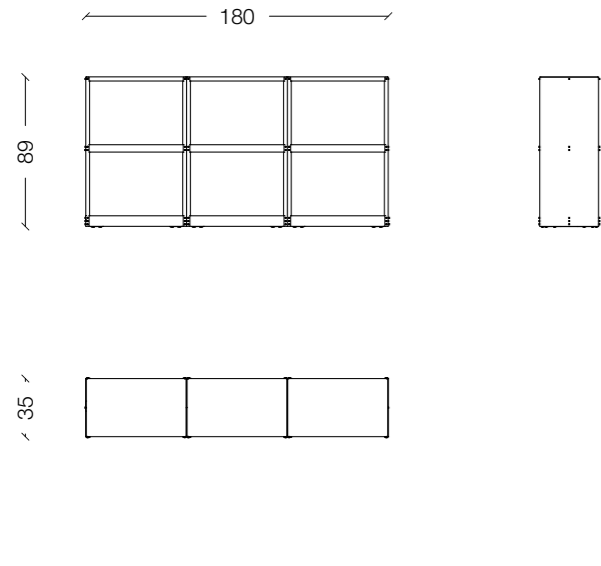
Index²

NM25

Technical Draw

Axonometry

Measures
W180 x D35 x H89 cm

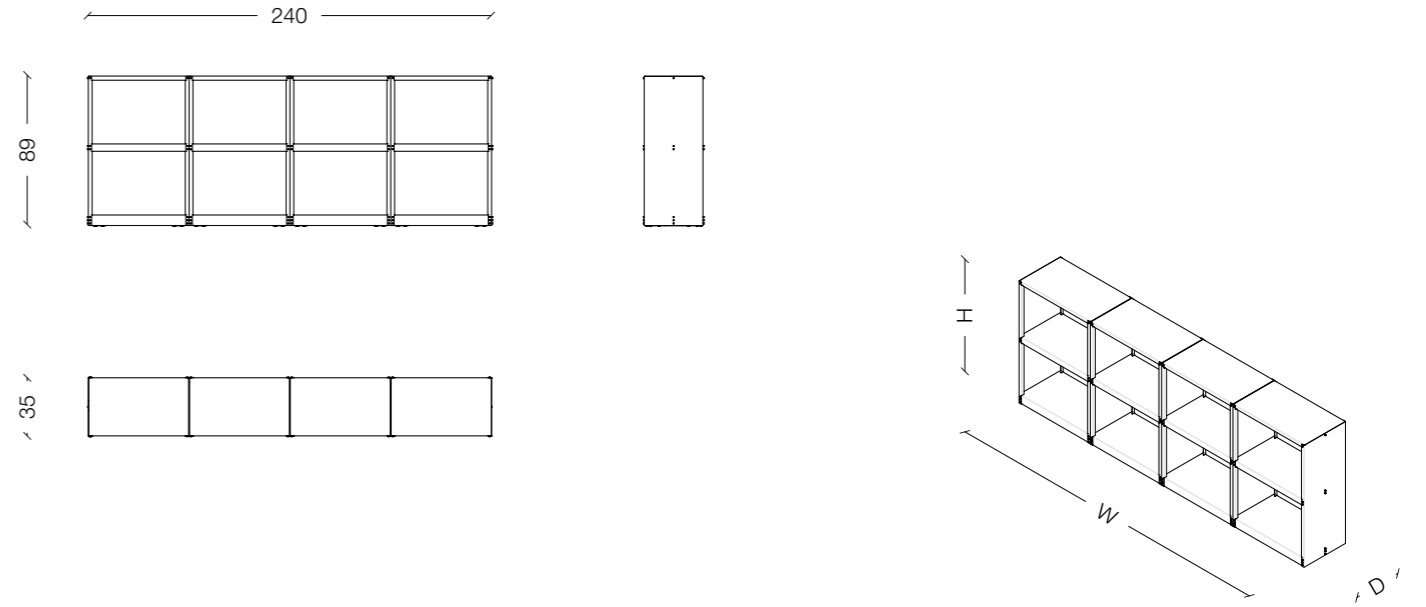


NM25.2

Technical Draw

Axonometry

Measures
W240 x D35 x H89 cm

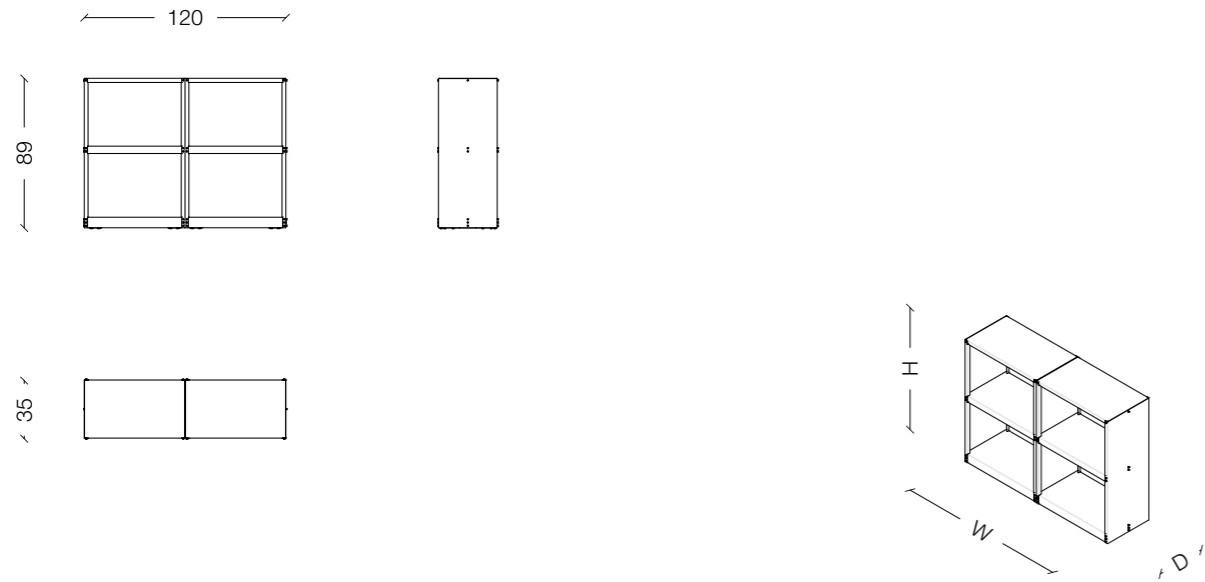


NM25.1

Technical Draw

Axonometry

Measures
W120 x D35 x H89 cm

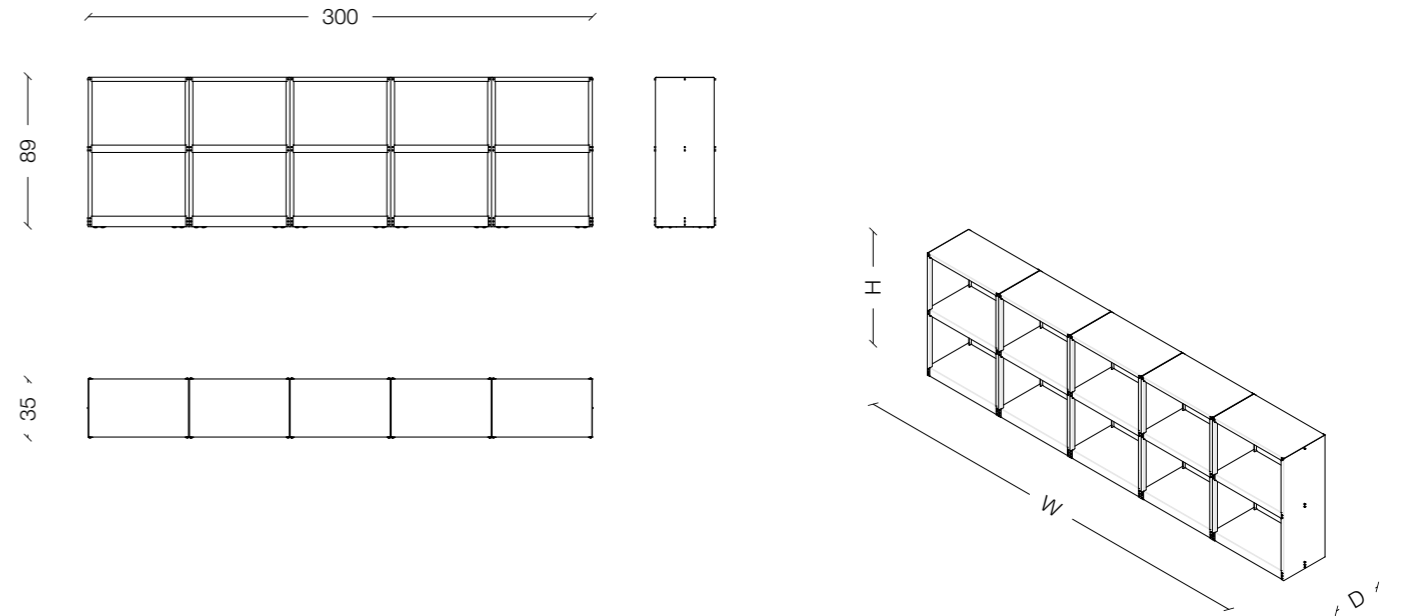


NM25.3

Technical Draw

Axonometry

Measures
W300 x D35 x H89 cm

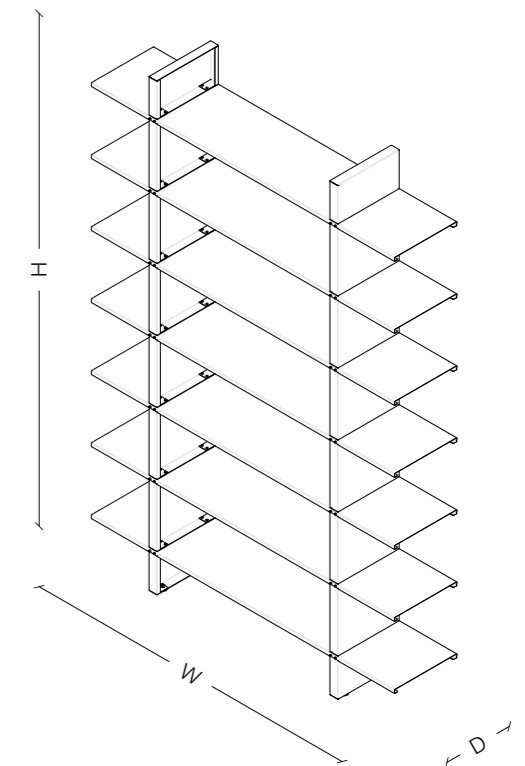




Available finishes	Metal	Essential	Custom options
		Zinc-plated iron	Custom dimensions, materials or finishes are available upon request and subject to surcharge. RAL colours outside NM3's standard selection subject to surcharge.
		Standard	Powder-Coated Finishes:
		Mirror stainless steel	Black
		Satin stainless steel	White
		Premium	Ruby Red
		Supermirror stainless steel	Capri Bluee
			Dark Grey
			Mustard
			Bottle Green

NM26 NM26 is a modular bookcase defined by an essential vertical structure. The system is based on a dry-assembled metal construction developed around box-section components. The standard version features one central column with seven shelves, and can be configured from a low composition with two shelves up to a full-height structure, maintaining consistent proportions and formal clarity. Developed in line with NM3's material language, NM26 is available in stainless steel or powder-coated steel. Fully demountable, it can be reduced to modular elements for efficient transport, storage, and reconfiguration.

Technical drawing Axonometry



Year	Product Category	Measures (in the image)	Feet	Finishes (in the image)
2023	Bookshelf	W170 x D35 x H250 cm	Adjustable feet, H1 cm	Mirror stainless steel
		Available measures		
		W170 x D35 x H20 cm		
		W170 x D35 x H55 cm		
		W170 x D35 x H110 cm		
		W170 x D35 x H180 cm		



↳ NM26 • Metal finish: Mirror Stainless Steel



NM01

→ NM26 • Metal finish: Mirror Stainless Steel • Ph. Michela Pedranti



↳ NM26 • Metal finish: Mirror Stainless Steel

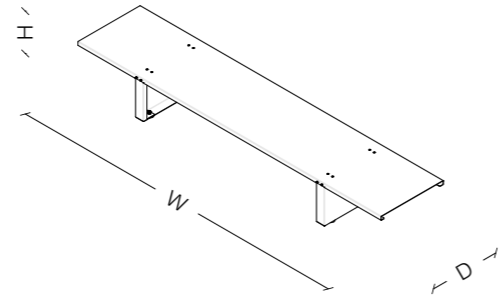
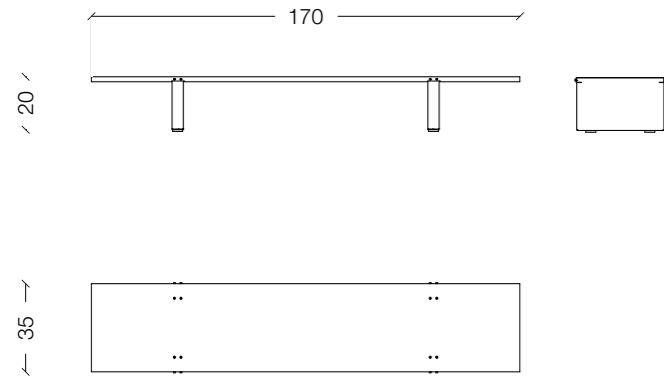
NM26.1

Technical Draw

Axonometry

Measures

W170 x D35 x H20 cm



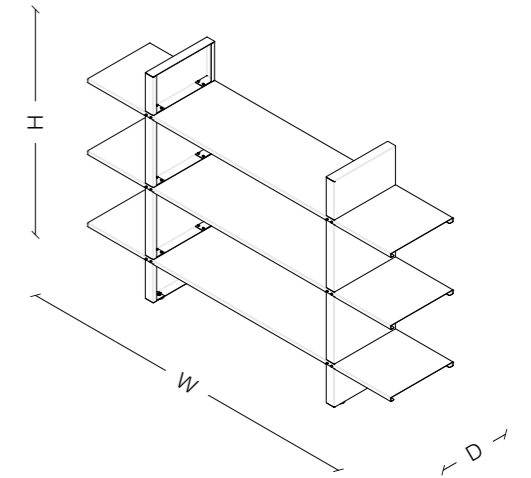
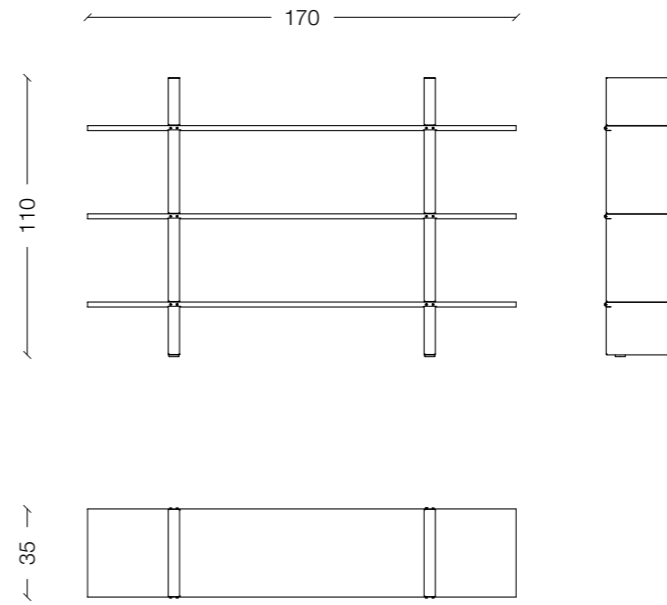
NM26.3

Technical Draw

Axonometry

Measures

W170 x D35 x H110 cm



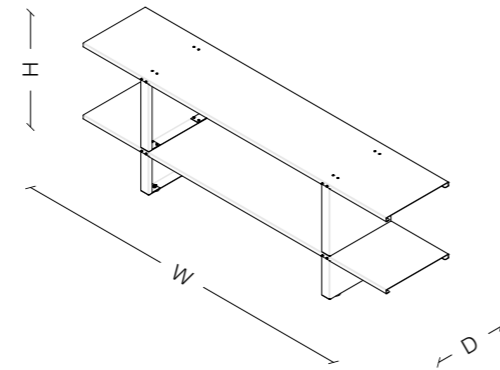
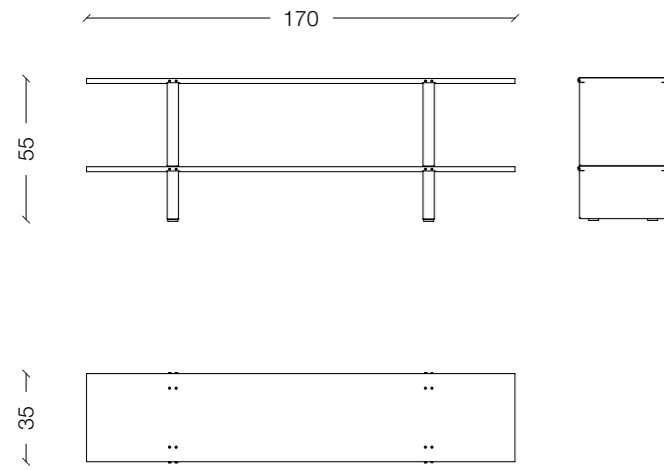
NM26.2

Technical Draw

Axonometry

Measures

W170 x D35 x H55 cm



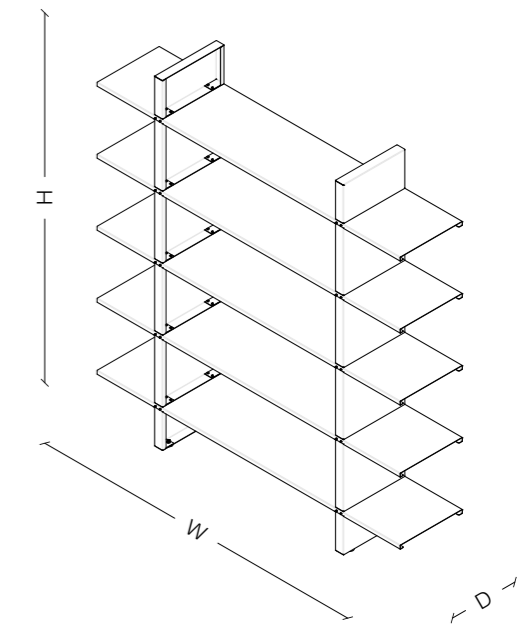
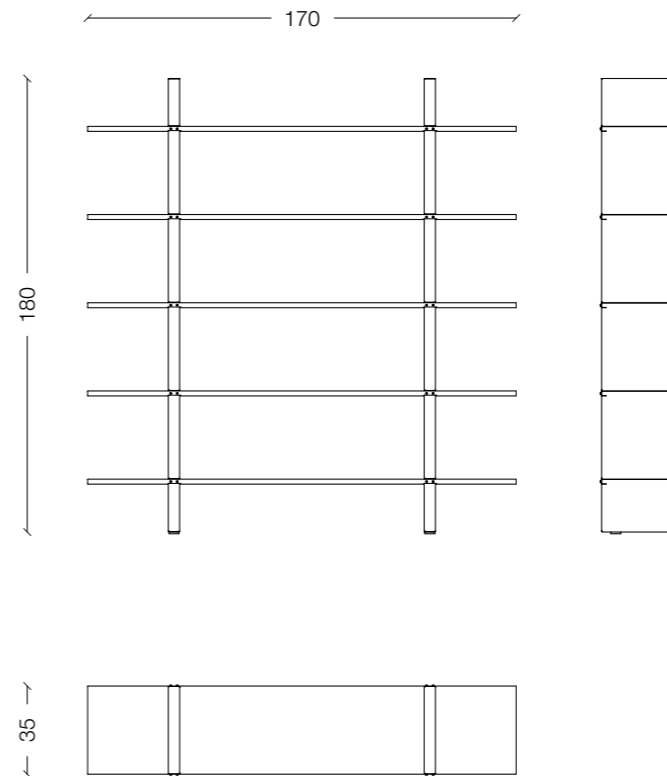
NM26.4

Technical Draw

Axonometry

Measures

W170 x D35 x H180 cm





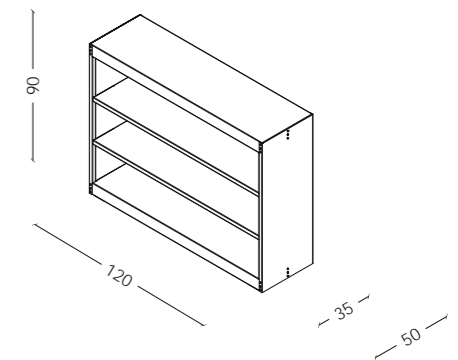
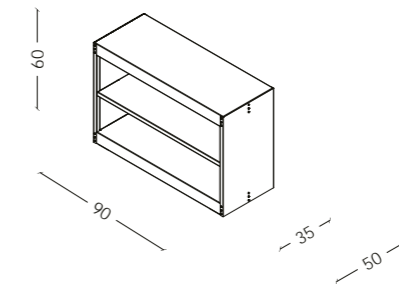
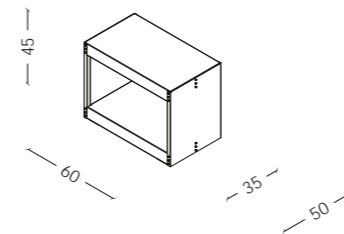
NMS01 is a modular storage system designed for a wide range of configurations. It is available with two or three shelves, and can be specified with full doors, half doors, double doors, double half doors, or drawers. Each module is available in widths of 60, 90, or 120 cm. The structure is developed in line with NM3's material language and is available in stainless steel or powder-coated steel. Based on a dry-assembled system, it ensures precision, durability, and ease of transport and installatio

Available finishes	Metal	Essential Zinc-plated iron	Custom options Custom dimensions, materials or finishes are available upon request and subject to surcharge. RAL colours outside NM3's standard selection subject to surcharge.
		Standard Mirror stainless steel Satin stainless steel	Powder-Coated Finishes: Black White Ruby Red Capri Bluee Dark Grey Mustard Bottle Green
		Premium Supermirror stainless steel	

Available configurations	Widths 60 / 90 / 120 cm
	Depths 35 / 50 cm
	Heights 45 / 60 / 90 cm
	All width, depth and height combinations are available.
	Request the specification sheet for all available module types.

Year 2026	Product Category Storage system	Available measures W60 / 90 / 120 x D35 / 50 x H45 / 60 / 90 cm	Feet Available with adjustable feet or wheels	Finishes (in the image) Mirror stainless steel
---------------------	---	---	---	--

Open Shelf Module W60 x D35 x H45 cm	Shelf Module W90 x D35 x H60 cm	Double Shelves Module W120 x D35 x H90 cm
--	---	---





↙ NMS01 • Metal finish: Satin Stainless Steel;
Small Wheels

↓ NMS01 • Metal finish: Satin Stainless Steel



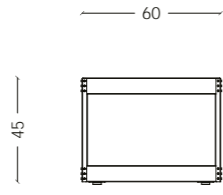
↘ NMS01 • Metal finish: Satin Stainless Steel



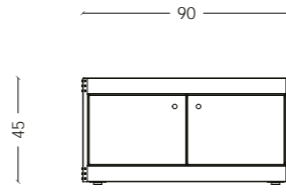
NMS01

H45

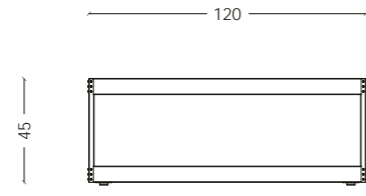
Open Shelf Module



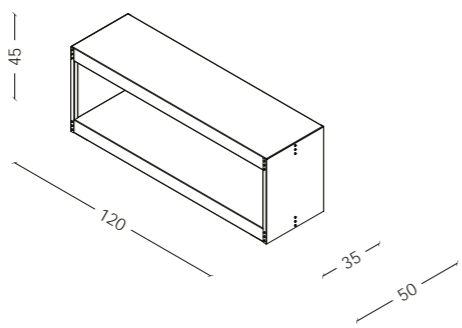
Double Door Module



Open Shelf Module



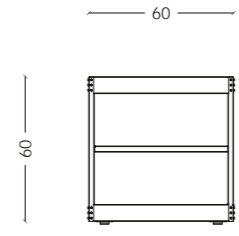
Open Shelf Module



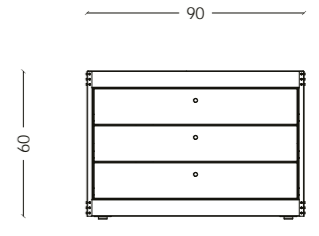
NMS01.1

H60

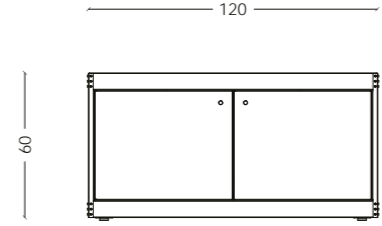
Single Shelf Module



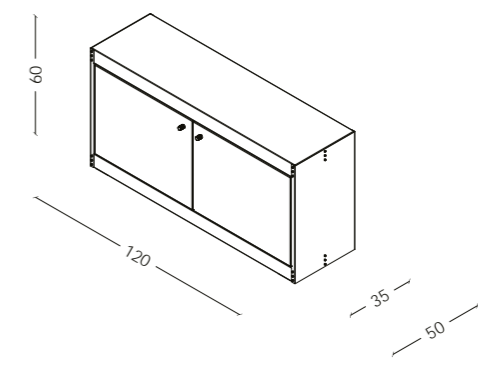
Drawers Module



Double Door Module



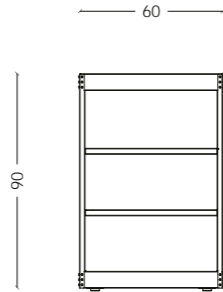
Double Door Module



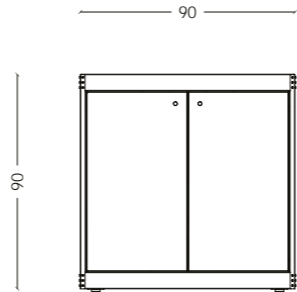
NMS01.2

H90

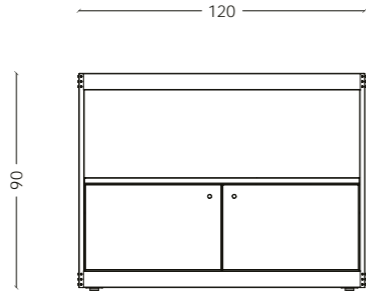
Double Shelves Module



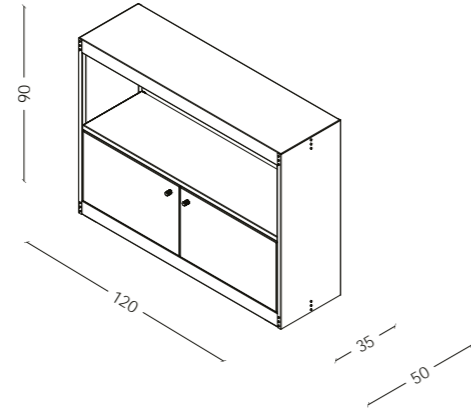
Double Door Module



Half Double Door Module



Half Double Door Module



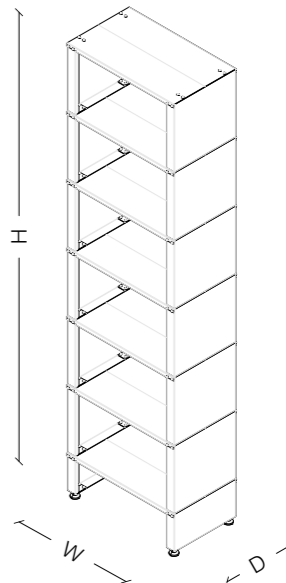


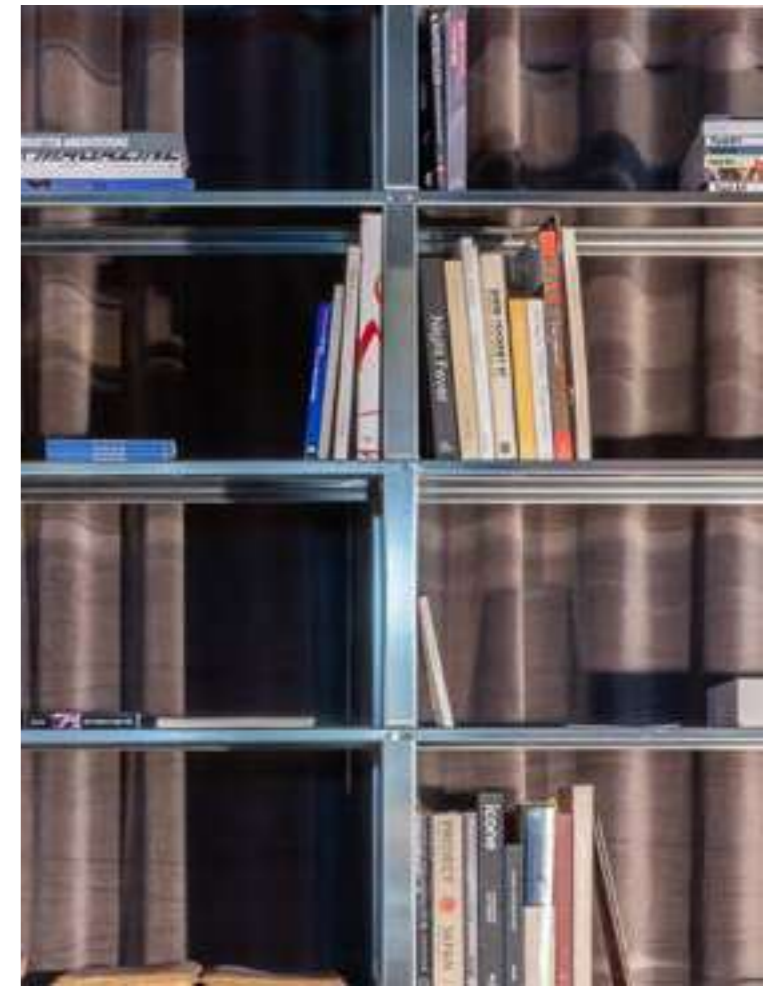
NMS02 NMS02 is a modular bookshelf system defined by a dry-assembled metal structure developed around box-section components. The system is composed of vertical columns and horizontal shelves that form linear compositions according to the chosen configuration. Each column is available in three sizes and can be combined with others, allowing the system to extend horizontally while maintaining structural continuity.

Year	Product Category	Available measures	Feet	Finishes (in the image)
2026	Bookshelf	W60 x D35 x H218 cm W90 x D35 x H218 cm W120 x D35 x H218 cm (each column)	Adjustable feet, H1 cm	Mirror stainless steel

Available finishes	Metal	Essential Zinc-plated iron	Custom options Custom dimensions, materials or finishes are available upon request and subject to surcharge. RAL colours outside NM3's standard selection subject to surcharge.
		Standard Mirror stainless steel Satin stainless steel	Powder-Coated Finishes: Black White Ruby Red Capri Bluee Dark Grey Mustard Bottle Green
		Premium Supermirror stainless steel	
Available configuration		Widths 60 / 90 / 120 cm	
		Depth 35 cm	
		Minimum height 2 shelves high / 56 cm total height	
		Standard height 218 cm / 7 shelves	
		Extended height Height can be extended indefinitely. Wall mounting required above 180 cm.	

Technical drawing Axonometry

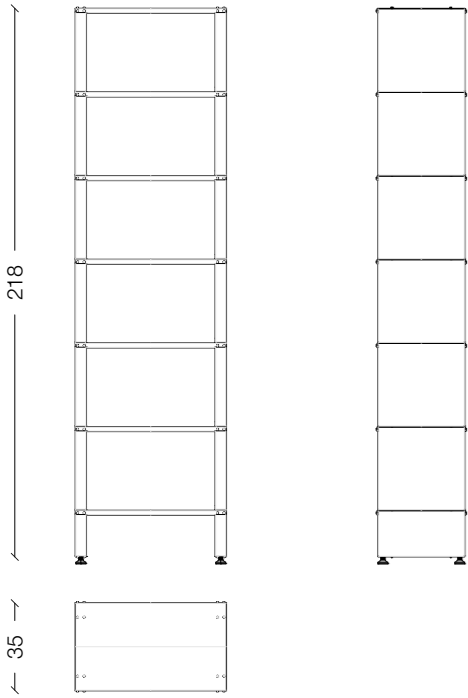




NMS02

Technical Draw

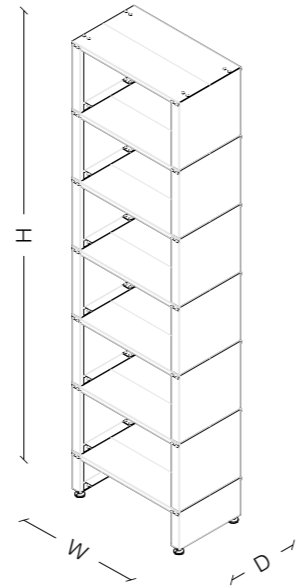
60



Axometry

Measures

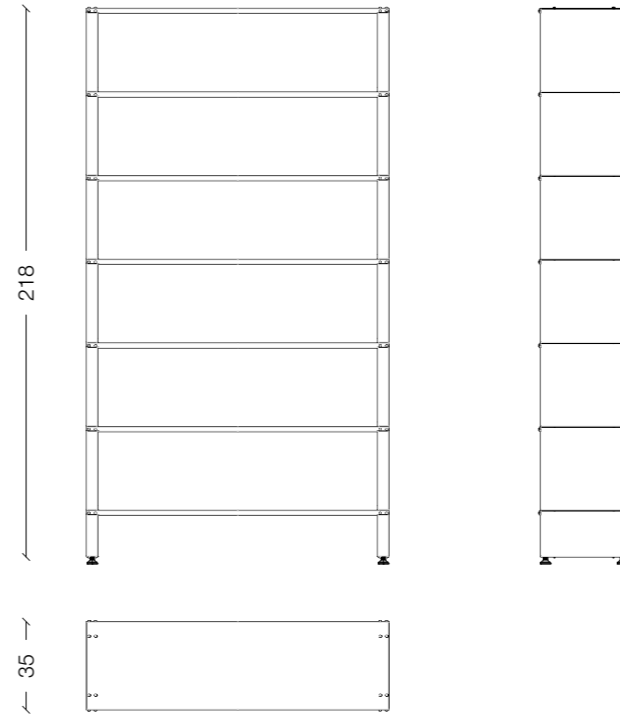
W60 x D35 x H218 cm



NMS02.2

Technical Draw

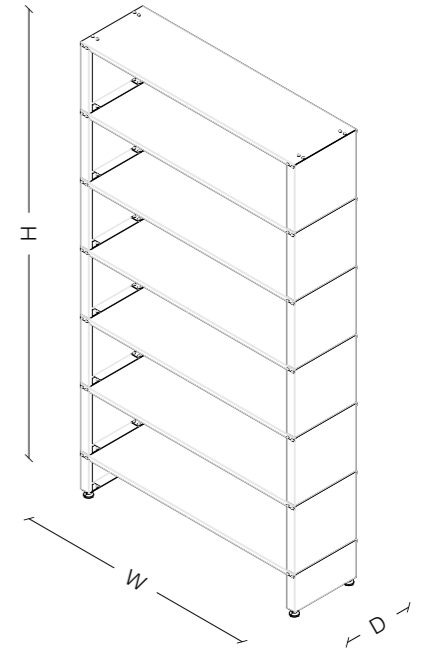
120



Axometry

Measures

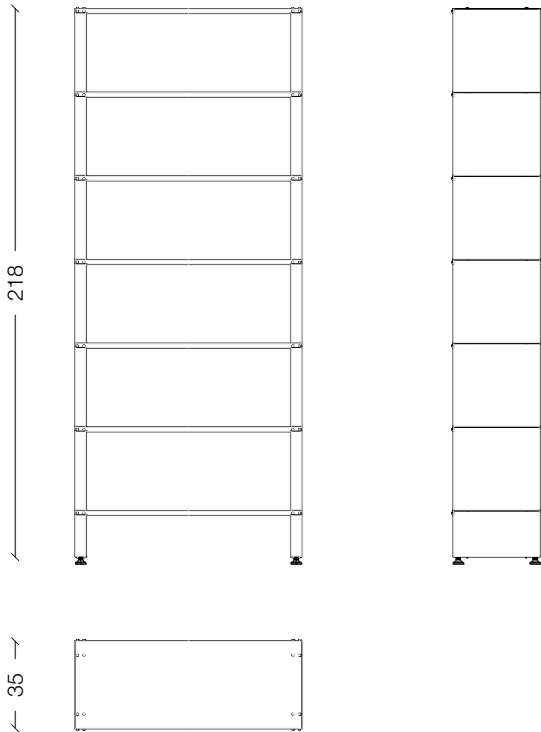
W120 x D35 x H218 cm



NMS02.1

Technical Draw

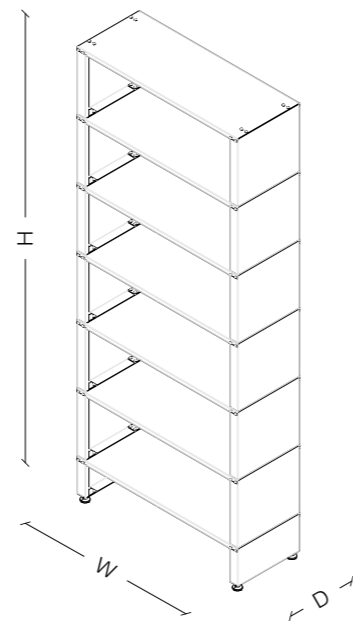
90



Axometry

Measures

W90 x D35 x H218 cm





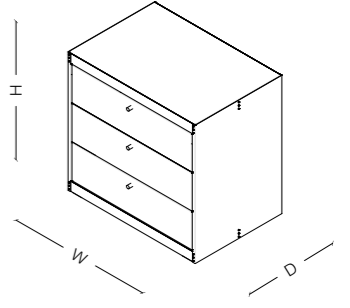
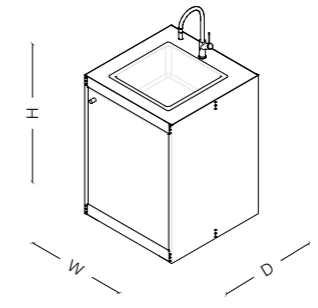
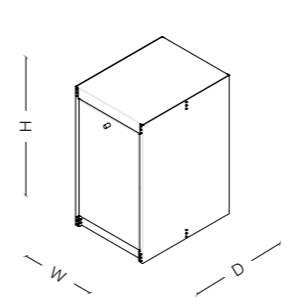
NMS03 is a modular kitchen system defined by a dry-assembled metal structure. The system is organised as a sequence of modules that are available in three different widths and can include open shelves, doors, drawers, and integrated functional units such as sink, stove, and oven modules. This allows a range of configurations through alignment and extension, adapting to different spatial and operational requirements. Each module operates as part of a repeatable system, ensuring formal and constructive consistency across all compositions. Designed for domestic and contract environments, NMS03 extends NM3's structural language into the kitchen space.

Year	Product Category	Available measures	Feet	Finishes (in the image)
2026	Kitchen	W50 x D65 x H90 cm W65 x D65 x H90 cm W95 x D65 x H90 cm (each module)	Adjustable feet, H1 cm	Mirror stainless steel

Available finishes	Metal	Essential Zinc-plated iron	Custom options Custom dimensions, materials or finishes are available upon request and subject to surcharge. RAL colours outside NM3's standard selection subject to surcharge.
		Standard Mirror stainless steel Satin stainless steel	Powder-Coated Finishes: Black White Ruby Red Capri Blue Dark Grey Mustard Bottle Green
	Marble	Standard Travertino Carrara Black Granite	
		Premium Calacatta Viola Rosso Levanto Verde Guatemala	

Available configurations	Widths 50 / 65 / 95 cm
	Depth 65 cm
	Height 90 cm
	Available as a wall or island kitchen system.
	Request the specification sheet for all available module types.

Dishwasher Module W50 x D65 x H90 cm	Sink Module W65 x D65 x H90 cm	Drawers Module W95 x D65 x H90 cm
---	-----------------------------------	--------------------------------------





↙ NMS03 Sink Module, Dishwasher Module • Metal finish: Satin Stainless Steel • Ph. Delfino Sisto Legnani

↓ NMS03 Kitchen • Metal finish: Satin Stainless Steel; Custom marble top in Verde Guatemala



Index²

↘ NMS03 Kitchen • Metal finish: Satin Stainless Steel; Custom marble top in Verde Guatemala



↓ NMS03 Kitchen • Metal finish: Satin Stainless Steel



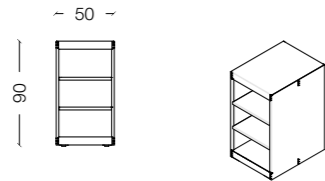
149

Kitchen

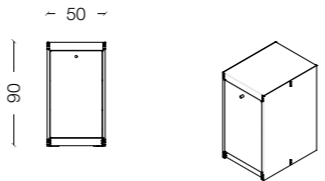
Index²

NMS03

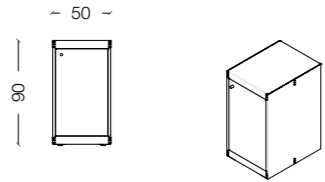
Shelves Module



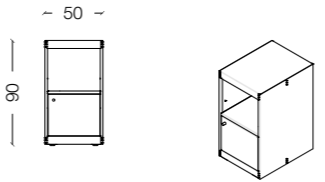
Dishwasher Module



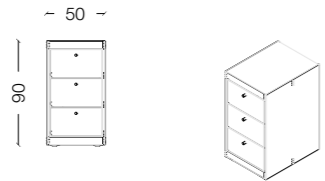
Single Door Module



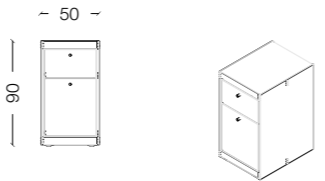
Half Door Module



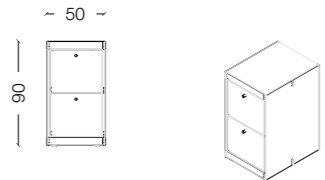
Drawers Module



Drawers Module

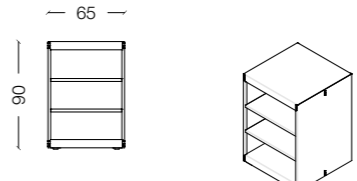


Drawers Module

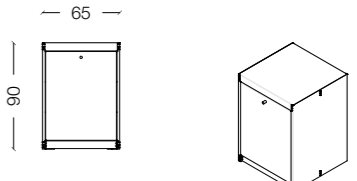


NMS03.1

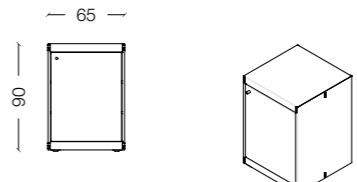
Shelves Module



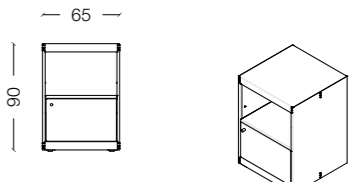
Dishwasher Module



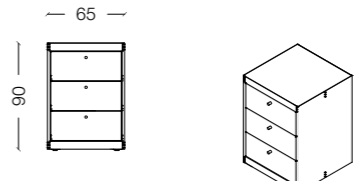
Single Door Module



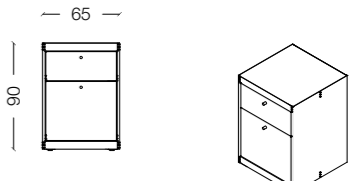
Half Door Module



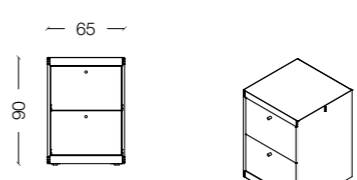
Drawers Module



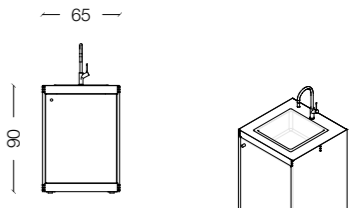
Drawers Module



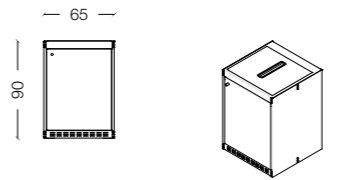
Drawers Module



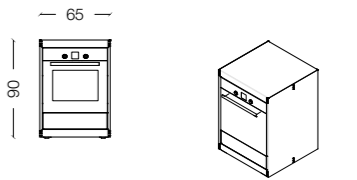
Sink Module



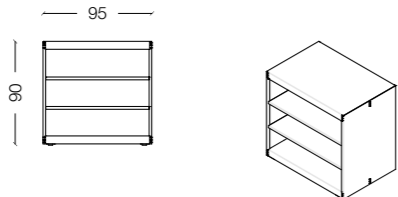
Stove Module



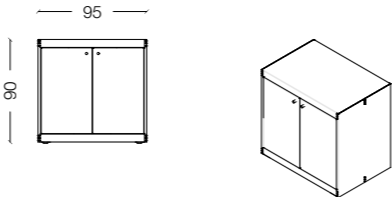
Oven Module



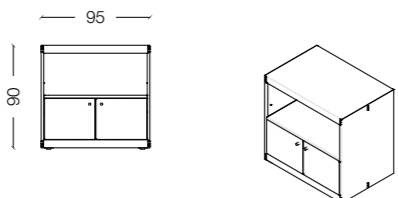
Shelves Module



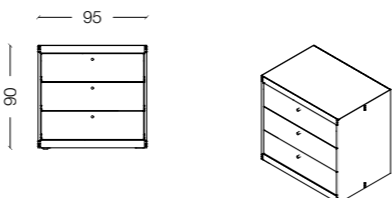
Double Door Module



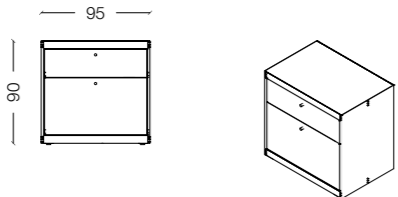
Half Double Door Module



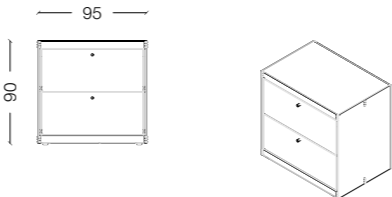
Drawers Module



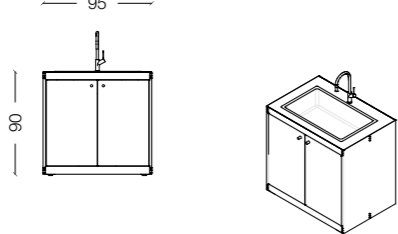
Drawers Module



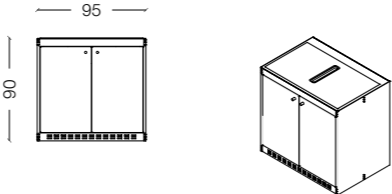
Drawers Module

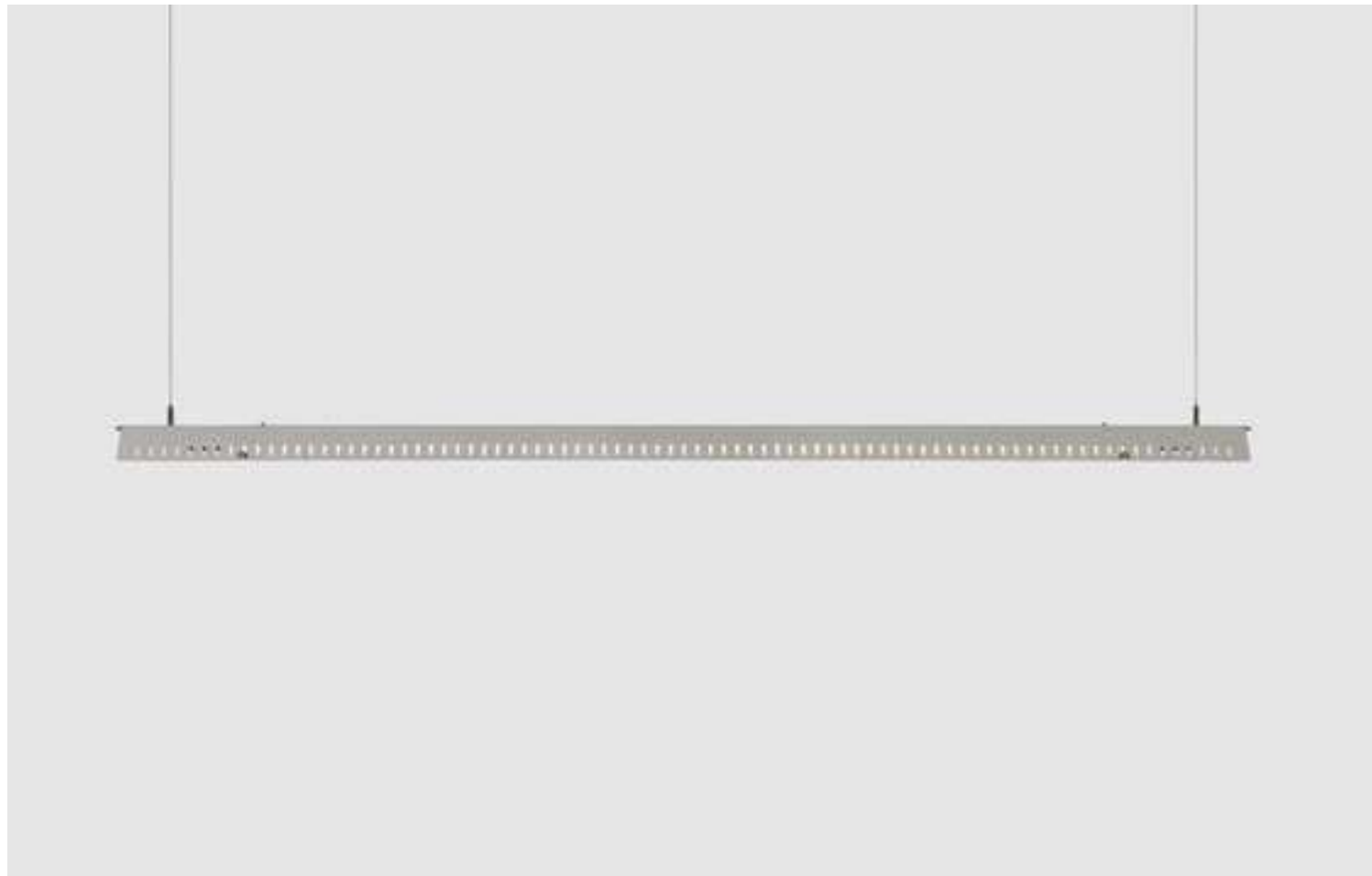


Sink Module



Stove Module



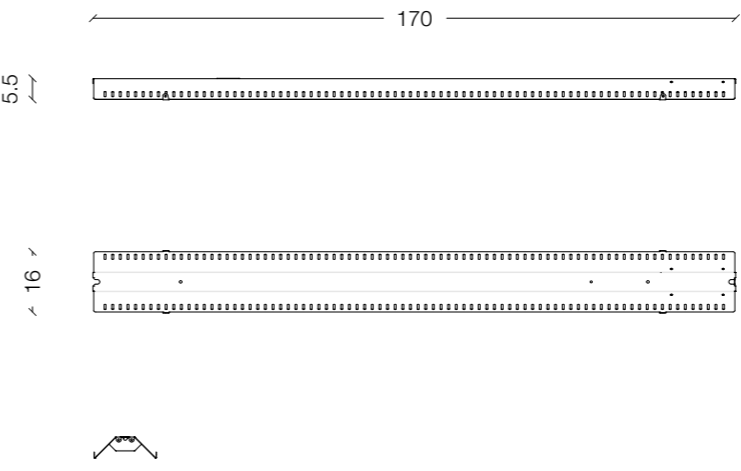


NM28 is a suspension lamp defined by a reduced and linear architectural configuration. The structure is based on adry-assembled metal system developed around folded planes and precise joints, resulting in a thin, suspended element with strong spatial presence. Available also as a wall lamp.

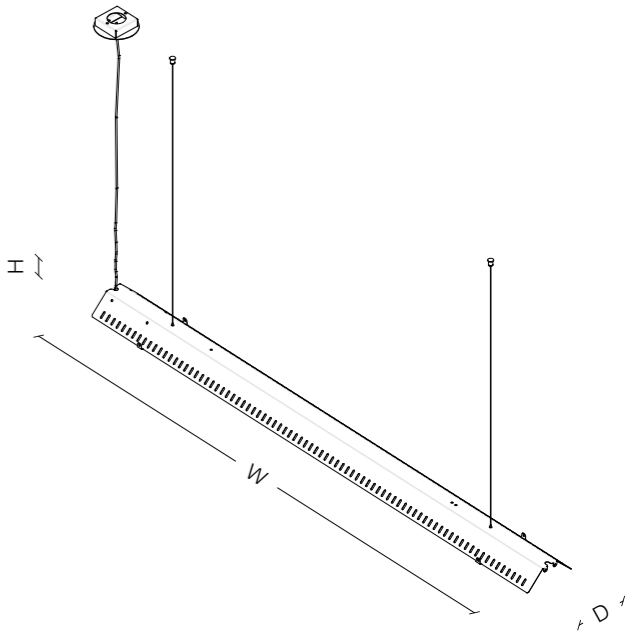
Year **2023** Product Category **Suspension lamp** Available measures W170 x D16 x H5.5 cm with a 1.5 m metal cable Finishes (in the image) Mirror stainless steel

- Available finishes
 - Metal
 - Essential
 - Zinc-plated iron
 - Standard
 - Mirror stainless steel
 - Satin stainless steel
 - Premium
 - Supermirror stainless steel
 - Custom options
 - Custom dimensions, materials or finishes are available upon request and subject to surcharge. RAL colours outside NM3's standard selection subject to surcharge.
 - Powder-Coated Finishes:
 - Black
 - White
 - Ruby Red
 - Capri Bluee
 - Dark Grey
 - Mustard
 - Bottle Green

Technical drawing



Axometry





↙ NM28 Suspension Lamp • Metal finish: Mirror Stainless Steel

↓ NM28 Suspension Lamp • Metal finish: Mirror Stainless Steel



Index²

↘ NM28 Suspension Lamp • Metal finish: Mirror Stainless Steel

↓ NM28 Suspension Lamp • Metal finish: Mirror Stainless Steel

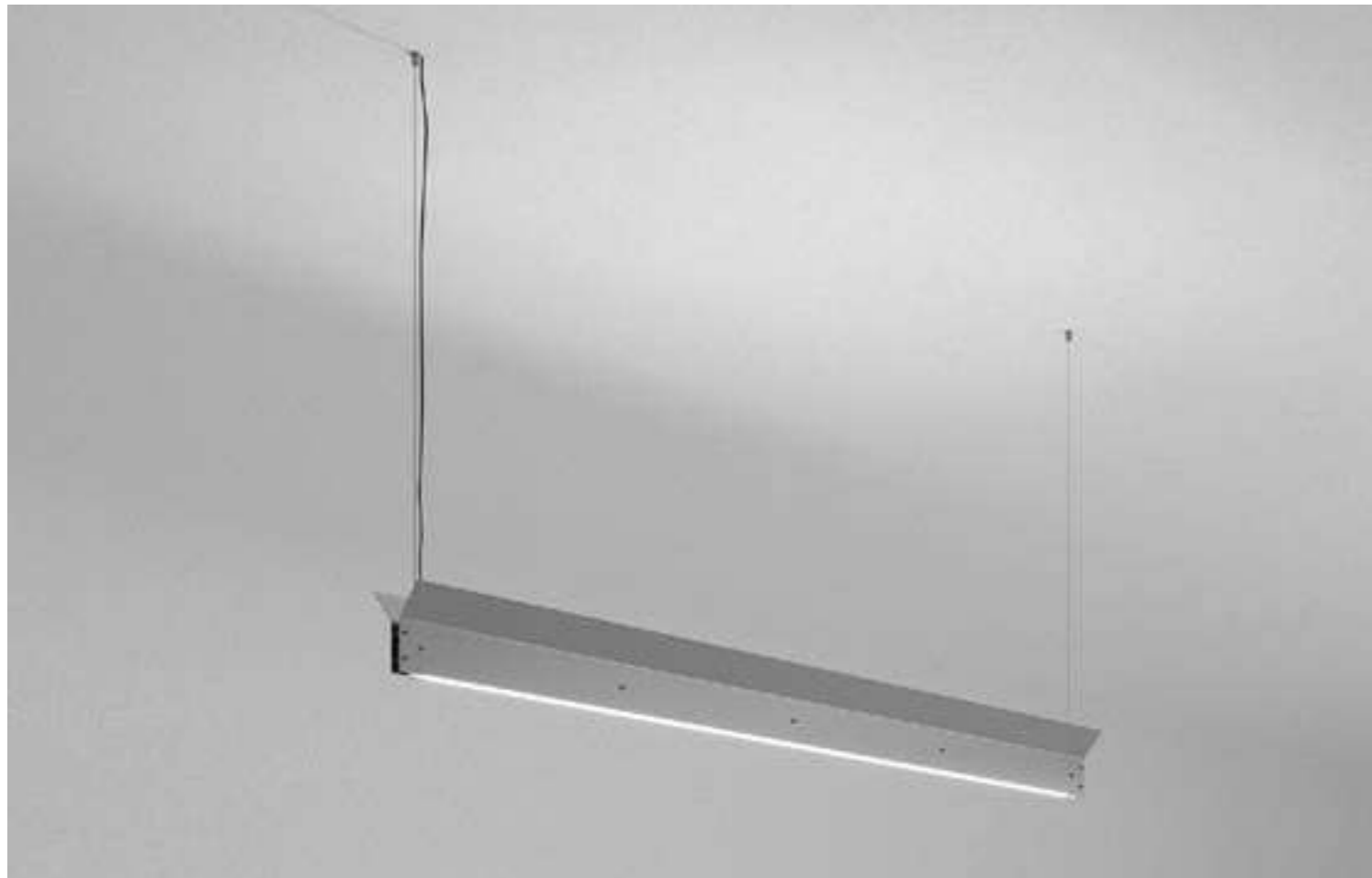


157

Lighting



Index²



Available finishes

Metal

Standard

Mirror stainless steel
Satin stainless steel

Premium

Supermirror stainless steel

Custom options

Custom dimensions, materials or finishes are available upon request and subject to surcharge. RAL colours outside NM3's standard selection subject to surcharge.

NMLL is a suspension lamp developed in collaboration with LED Linear. The object is defined by a linear metal structure integrating an advanced lighting system within a precise architectural profile. The light source combines direct emission through nano-optic technology with indirect ambient illumination, generating a controlled and layered distribution of light. The reduced geometry emphasises the relationship between light performance and structural clarity, resulting in a suspended element that is both technical and spatial. Designed as a continuous linear presence, NMLL operates as a functional light source while contributing to the architectural composition of the space.

Year
2026

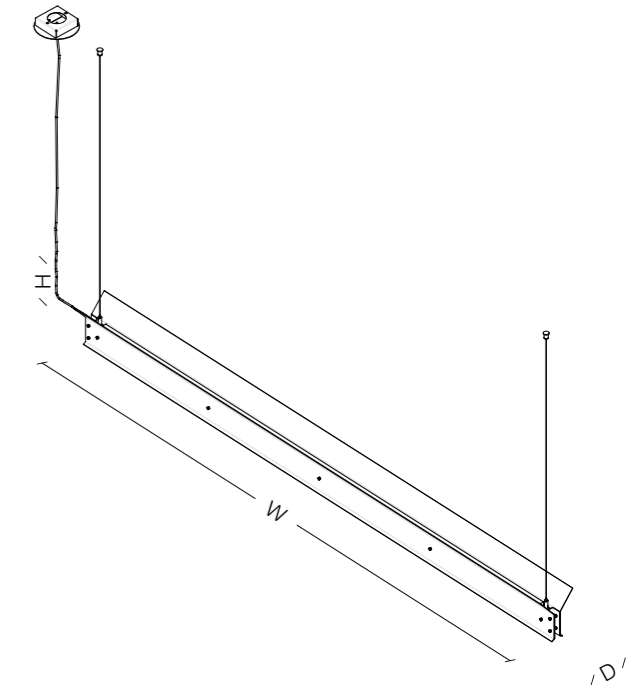
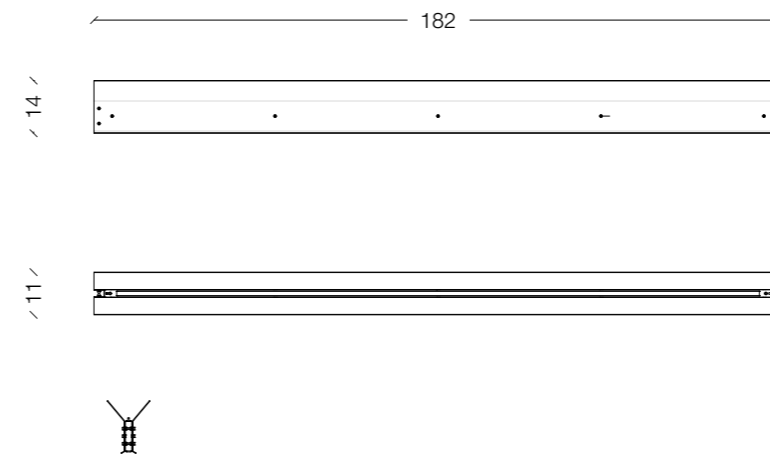
Product Category
Suspension lamp

Available measures
W182 x D11 x H14 cm

Finishes (in the image)
Mirror stainless steel

Technical drawing

Axonometry





↙ NMLL Suspension Lamp • Metal finish: Mirror Stainless Steel

↓ NMLL Suspension Lamp • Metal finish: Mirror Stainless Steel



Index²

↘ NMLL Suspension Lamp • Metal finish: Mirror Stainless Steel

↓ NMLL Suspension Lamp • Metal finish: Mirror Stainless Steel



Lighting



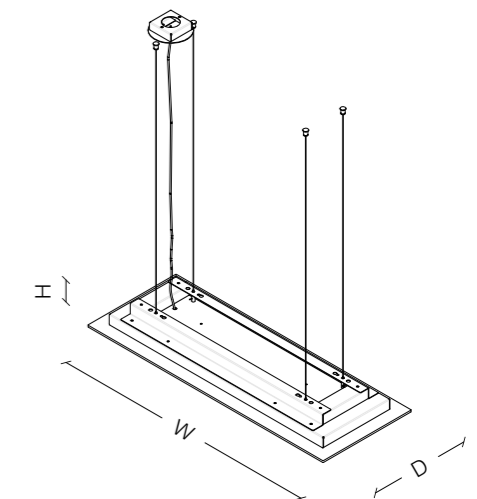
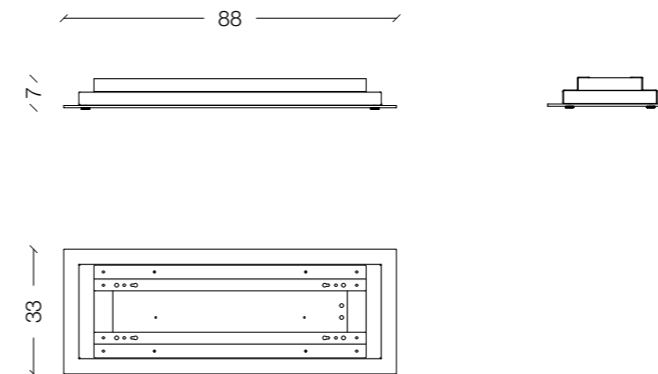
Index²



Available finishes	Metal	Standard	Custom options Custom dimensions, materials or finishes are available upon request and subject to surcharge. RAL colours outside NM3's standard selection subject to surcharge.
		Metal structure	
	Glass	Premium	
		Texturized glass	

NM44 is a wall lamp with minimalistic stainless steel circles applied on texturized glass. It is a lighting fixture designed to be mounted on vertical surfaces, combining functional illumination with architectural and decorative elements in interior and exterior spaces. Available also as a ceiling lamp.

Technical drawing Axonometry



Year **2026** Product Category **Wall Lamp Suspension Lamp**

Available measures
W88 x D33 x H7 cm

Finishes (in the image)
Texturized glass, satin stainless steel



↙ NM44 Suspension Lamp • Metal finish: Satin Stainless Steel Texturized glass • Ph. Delfino Sisto Legnani

↓ NM44 Suspension Lamp • Metal finish: Satin Stainless Steel Texturized glass • Ph. Delfino Sisto Legnani



Index²

↘ NM44 Suspension Lamp • Metal finish: Satin Stainless Steel Texturized glass

↓ NM44 Suspension Lamp • Metal finish: Satin Stainless Steel Texturized glass • Ph. Delfino Sisto Legnani



165

Lighting



Index²



Available finishes

Metal

Essential

Zinc-plated iron

Standard

Mirror stainless steel

Satin stainless steel

Premium

Supermirror stainless steel

Custom options

Custom dimensions, materials or finishes are available upon request and subject to surcharge. RAL colours outside NM3's standard selection subject to surcharge.

Powder-Coated Finishes:

Black

White

Ruby Red

Capri Bluee

Dark Grey

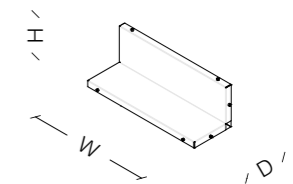
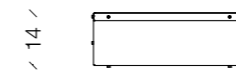
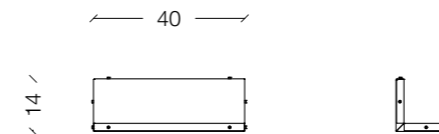
Mustard

Bottle Green

NM39 is a compact shelf available in three lengths. The structure is based on a dry-assembled metal system developed around box-section components, enhancing structural performance and an architectural aesthetic. Suitable for domestic, office, and contract environments.

Technical drawing

Axometry



Year
2025

Product Category
Shelf

Measures (in the image)
W40 x D14 x H14 cm

Available measures
W80 x D14 x H14 cm
W120 x D14 x H14 cm

Finishes (in the image)
Mirror stainless steel



↙ NM39 • Metal finish: Mirror Stainless Steel

↓ NM39 • Metal finish: Mirror Stainless Steel



Index²

↘ NM39 • Metal finish: Mirror Stainless Steel

↓ NM39 • Metal finish: Mirror Stainless Steel



169

Accessories



Index²

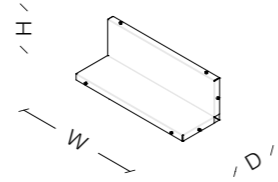
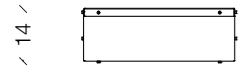
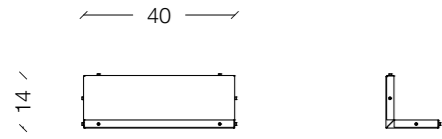
NM39

Technical Draw

Axonometry

Measures

W40 x D14 x H14 cm



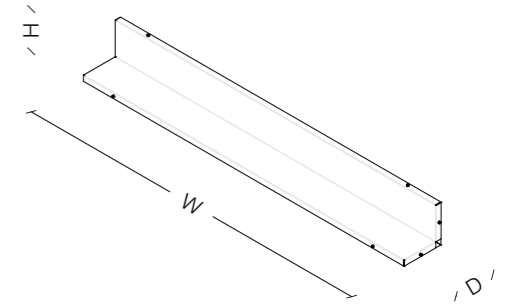
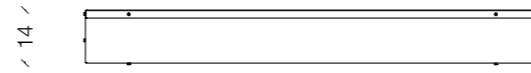
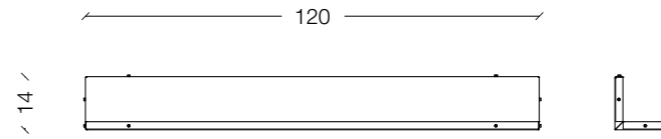
NM39.2

Technical Draw

Axonometry

Measures

W120 x D14 x H14 cm



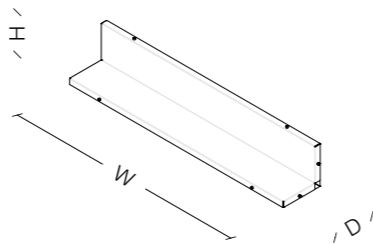
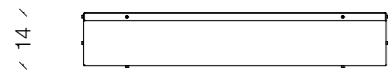
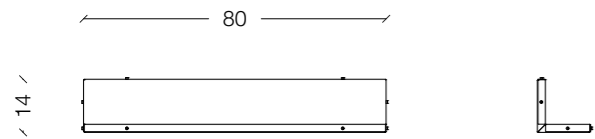
NM39.1

Technical Draw

Axonometry

Measures

W80 x D14 x H14 cm





Available finishes

Metal

Essential

Zinc-plated iron

Standard

Mirror stainless steel

Satin stainless steel

Premium

Supermirror stainless steel

Custom options

Custom dimensions, materials or finishes are available upon request and subject to surcharge. RAL colours outside NM3's standard selection subject to surcharge.

Powder-Coated Finishes:

Black

White

Ruby Red

Capri Bluee

Dark Grey

Mustard

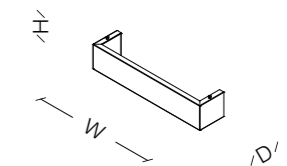
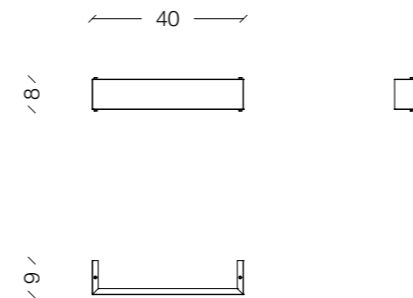
Bottle Green

NM40

Is a compact towel holder available in three lengths. The structure is based on a dry-assembled metal system developed around box-section components, enhancing structural performance and an architectural aesthetic. Suitable for domestic, office, and contract environments.

Technical drawing

Axometry



Year

2025

Product Category

Towel Holder

Measures (in the image)

W40 x D9 x H8cm

Available measures

W80 x D9 x H8cm

W120 x D9 x H8cm

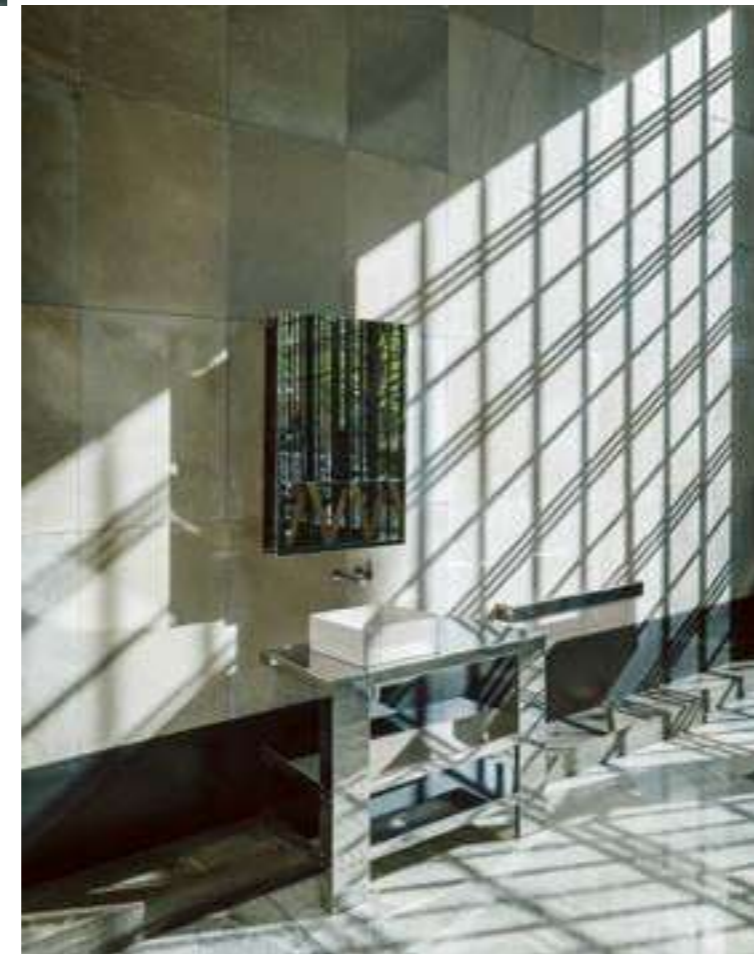
Finishes (in the image)

Mirror stainless steel



↙ NM40.2 • Metal finish: Mirror Stainless Steel

↓ NM40.2 • Metal finish: Mirror Stainless Steel



Index²

↘ NM40 • Metal finish: Mirror Stainless Steel

↓ NM40.2 • Metal finish: Mirror Stainless Steel



175

Accessories



Index²

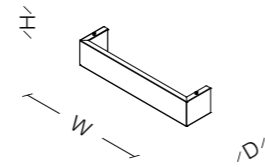
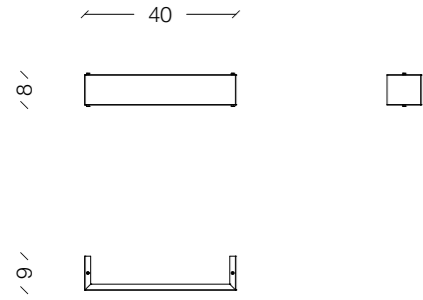
NM40

Technical Draw

Axonometry

Measures

W40 x D9 x H8cm



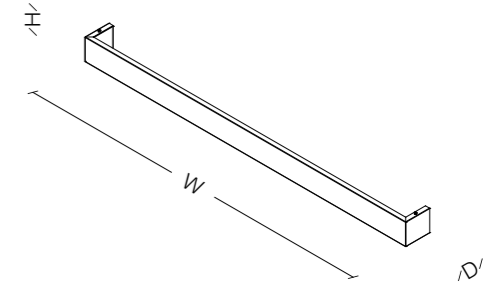
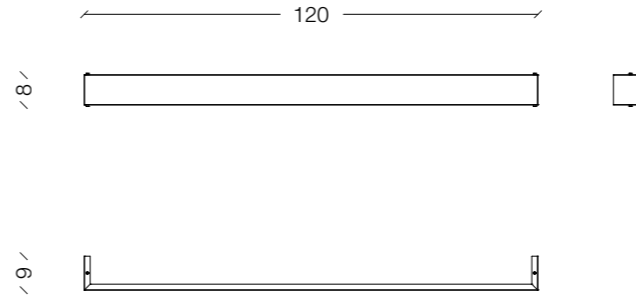
NM40.2

Technical Draw

Axonometry

Measures

W120 x D9 x H8 cm



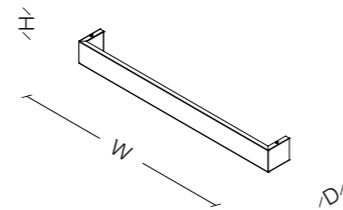
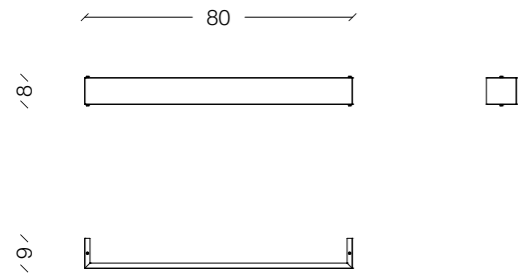
NM40.1

Technical Draw

Axonometry

Measures

W80 x D9 x H8 cm





NM41 is a toilet paper holder defined by a reduced stainless steel structure. The object is formed from laser-cut stainless steel, folded to create a rigid linear support with integrated fixing points. The geometry is reduced to essential planes and edges, ensuring structural clarity and ease of installation. Designed for wall mounting, NM41 operates as a functional bathroom accessory while maintaining material precision and constructive logic consistent with the NM3 system. Available in one size.

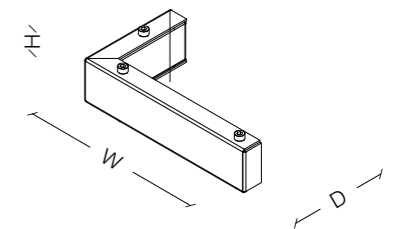
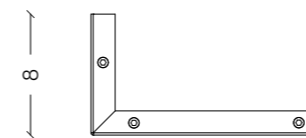
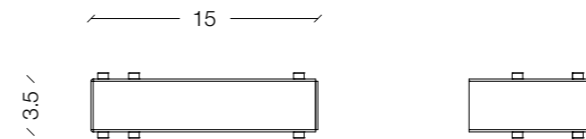
Year **2025** Product Category **Toilet paper holder**

Available measures
W15 x D8 x H3.5 cm

Finishes (in the image)
Mirror stainless steel

Available finishes	Metal	Essential	Custom options
		Zinc-plated iron	Custom dimensions, materials or finishes are available upon request and subject to surcharge. RAL colours outside NM3's standard selection subject to surcharge.
		Standard	Powder-Coated Finishes:
		Mirror stainless steel	Black
		Satin stainless steel	White
		Premium	Ruby Red
		Supermirror stainless steel	Capri Bluee
			Dark Grey
			Mustard
			Bottle Green

Technical drawing Axonometry





↙ NM41 • Metal finish: Mirror Stainless Steel

↓ NM41 • Metal finish: Mirror Stainless Steel



Index²

↘ NM41 • Metal finish: Mirror Stainless Steel

↓ NM41 • Metal finish: Mirror Stainless Steel

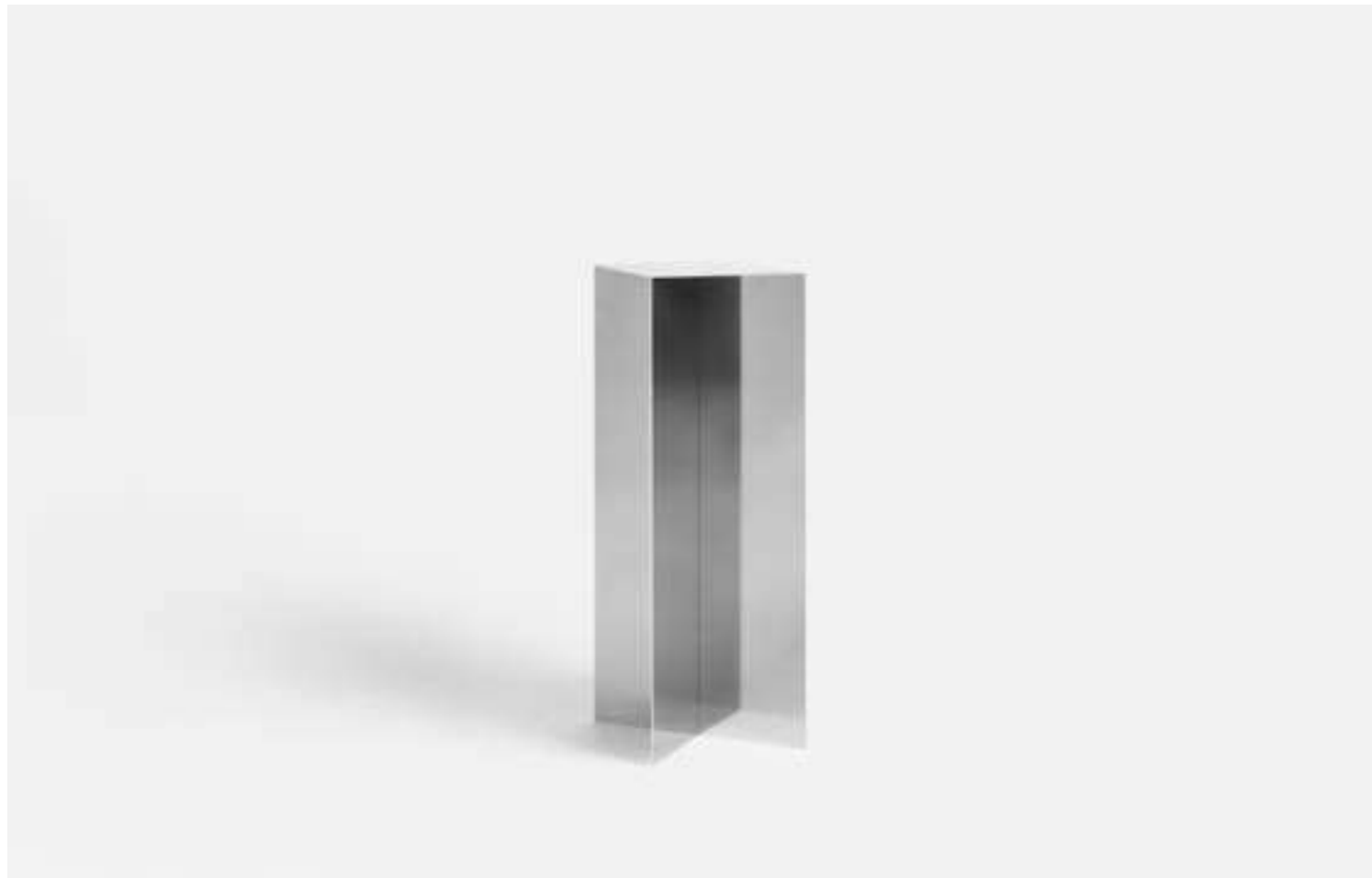


181

Accessories



Index²



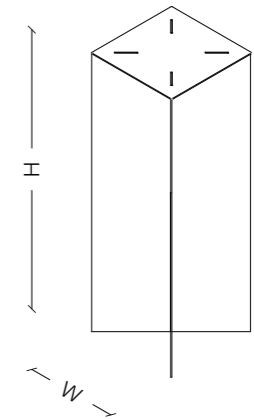
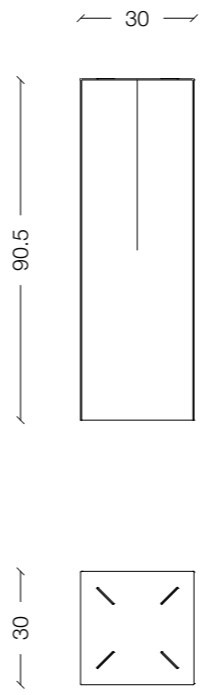
NM03 is a podium from NM3's inaugural collection. The system is based on laser-cut steel plates assembled through intersecting geometries, without welding. Two identical elements form an X-shaped structural core that supports a square top, locked into place through a series of precise incisions and a concealed connector system integrated within the volume. The podium is fully demountable and can be reduced to flat metal elements, optimising transport, storage, and spatial reconfiguration. This dry-assembly approach reflects NM3's design method, combining structural clarity, material efficiency, and reduced environmental impact.

Year **2021** Product Category **Plinth** Available measures **W30 × D30 × H90.5 cm**

Finishes (in the image) **Mirror stainless steel**

- Available finishes **Metal**
 - Essential
 - Zinc-plated iron
 - Standard
 - Mirror stainless steel
 - Satin stainless steel
 - Premium
 - Supermirror stainless steel
- Custom options
 - Custom dimensions, materials or finishes are available upon request and subject to surcharge. RAL colours outside NM3's standard selection subject to surcharge.
- Powder-Coated Finishes:
 - Black
 - White
 - Ruby Red
 - Capri Bluee
 - Dark Grey
 - Mustard
 - Bottle Green

Technical drawing Axonometry





↙ NM03 • Metal finish: Mirror Stainless Steel • Ph. Helenio Barbetta

↓ NM03 • Metal finish: Mirror Stainless Steel • Ph. Helenio Barbetta



Index²

↘ NM03 • Metal finish: Mirror Stainless Steel

↓ NM03 • Metal finish: Mirror Stainless Steel • Ph. Piercarlo Quecchia



185

Accessories



Index²

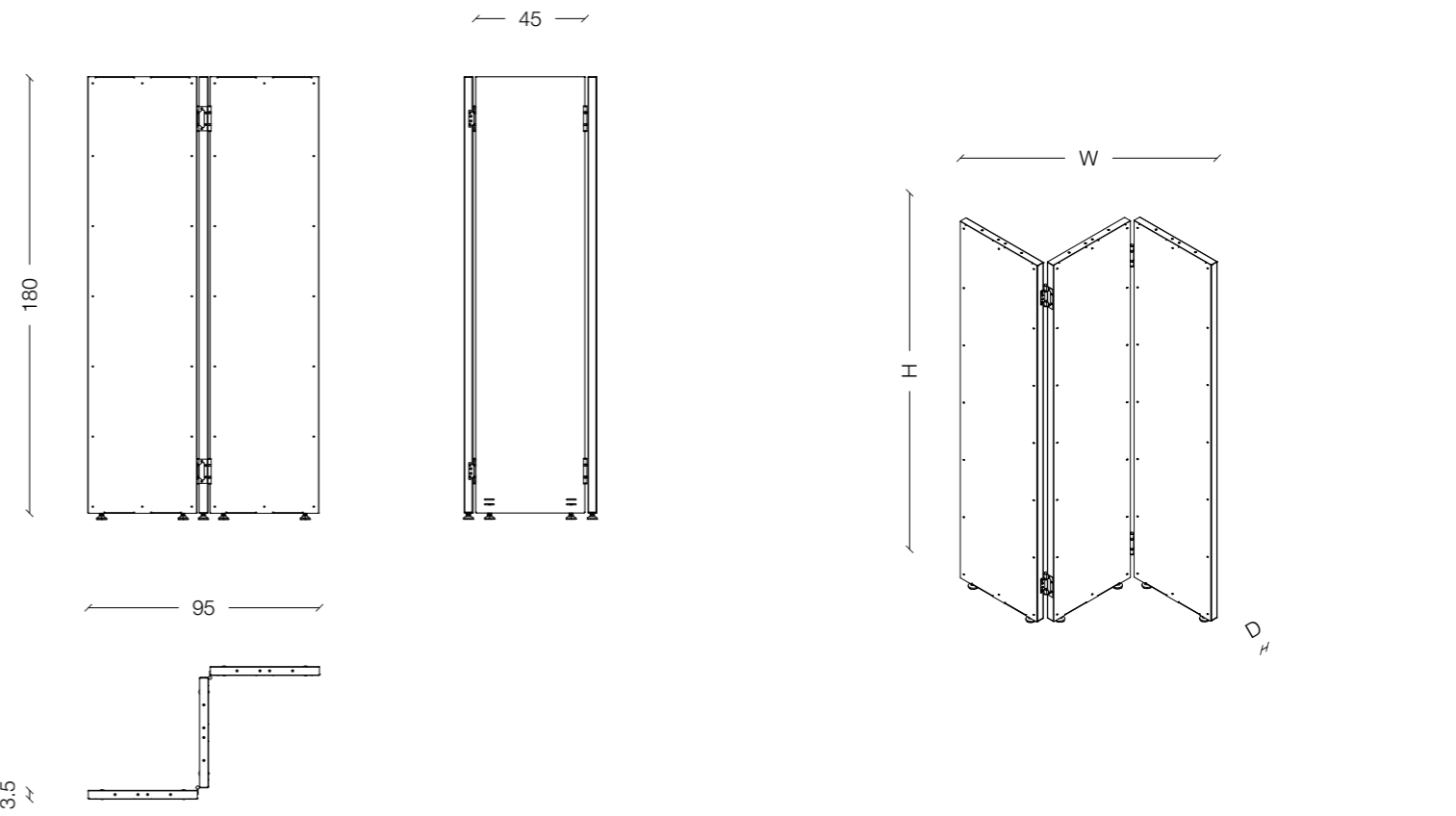


NM27 is a screen defined by a planar metal volume reduced to its essential geometry. The structure is based on a dry-assembled metal system developed around box-section components, forming a large, thin surface with strong spatial presence. The screen functions as a partition element, dividing and framing environments while maintaining structural legibility. Fully demountable, NM27 can be reduced to modular components, optimising transport, storage, and spatial reconfiguration.

Year	Product Category	Available measures	Feet	Finishes (in the image)
2023	Screen divider	W45 x D3.5 x 180 cm (each module)	Stainless steel feet, H2.5 cm	Mirror stainless steel

Available finishes	Metal	Essential	Custom options
		Zinc-plated iron	Custom dimensions, materials or finishes are available upon request and subject to surcharge. RAL colours outside NM3's standard selection subject to surcharge.
		Standard	Powder-Coated Finishes:
		Mirror stainless steel	Black
		Satin stainless steel	White
		Premium	Ruby Red
		Supermirror stainless steel	Capri Bluee
			Dark Grey
			Mustard
			Bottle Green

Technical drawing Axonometry





↙ NM27 • Metal finish: Satin Stainless Steel • Ph. Delfino Sisto Legnani

↓ NM27 • Metal finish: Satin Stainless Steel • Ph. Delfino Sisto Legnani



Index²

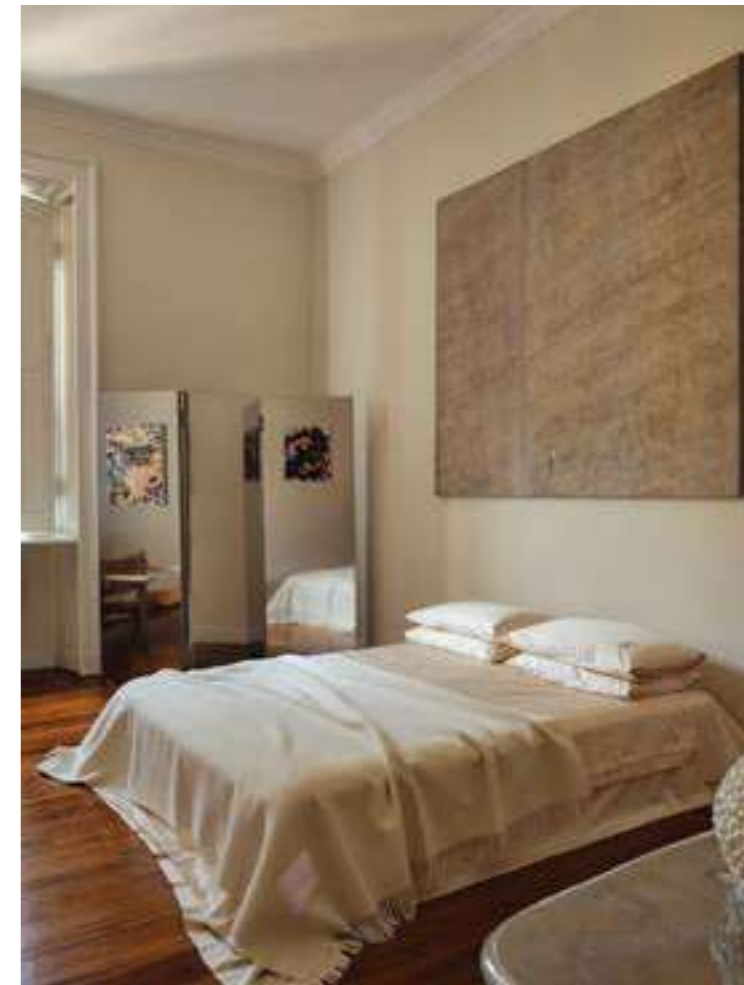
↘ NM27 • Metal finish: Satin Stainless Steel

↓ NM27 • Metal finish: Satin Stainless Steel • Ph. Louis De Belle



189

Accessories



Index²



Available finishes

Metal

Standard

Mirror stainless steel

Custom options

Custom dimensions, materials or finishes are available upon request and subject to surcharge. RAL colours outside NM3's standard selection subject to surcharge.

NM31 is an ashtray from NM3's Small Objects collection, released in 2024. Reduced to a compact architectural volume, its dry-assembled stainless-steel planes and visible fasteners give the object a crisp, industrial presence. Minimal in scale but precise in detail, NM31 turns an everyday gesture into a refined metal object defined by sharp edges and clean proportions.

Year

2023

Product Category

Low ashtray

Available measures

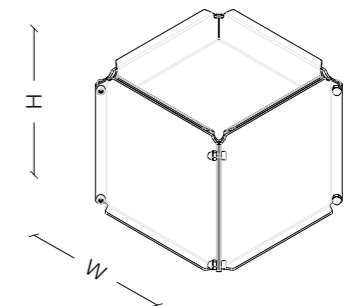
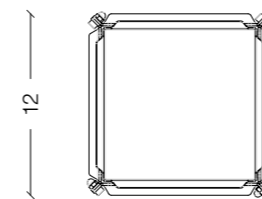
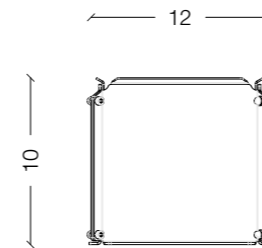
W12 x D12 x H10 cm

Finishes (in the image)

Mirror stainless steel

Technical drawing

Axonometry



↙ NM31 • Metal finish: Mirror Stainless Steel, packaging: cardboard box • Ph. Delfino Sisto Legnani



↓ NM31 • Metal finish: Mirror Stainless Steel, packaging: cardboard box • Ph. Delfino Sisto Legnani



Index²

↘ NM31 • Metal finish: Mirror Stainless Steel • Ph. Delfino Sisto Legnani



↓ NM31 • Metal finish: Mirror Stainless Steel • Ph. Delfino Sisto Legnani



193

Accessories

Index²



Available finishes

Metal

Standard

Mirror stainless steel

Custom options

Custom dimensions, materials or finishes are available upon request and subject to surcharge. RAL colours outside NM3's standard selection subject to surcharge.

NM32 transforms an everyday object into a precise metal volume. From NM3's Small Objects collection, released in 2024, it is defined by a tall, slim proportion and clean folded geometry, expressing NM3's obsession with structure and edge detail. Its dry-assembled stainless steel construction keeps the form sharp and essential—functional, graphic, and quietly sculptural on a table.

Year
2023

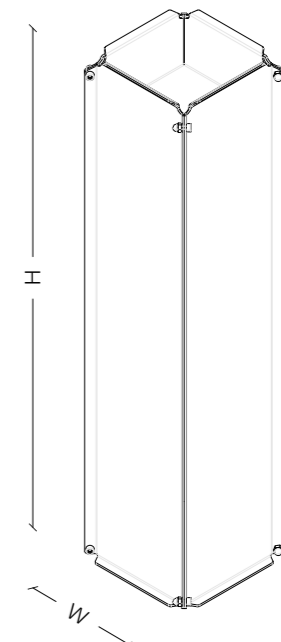
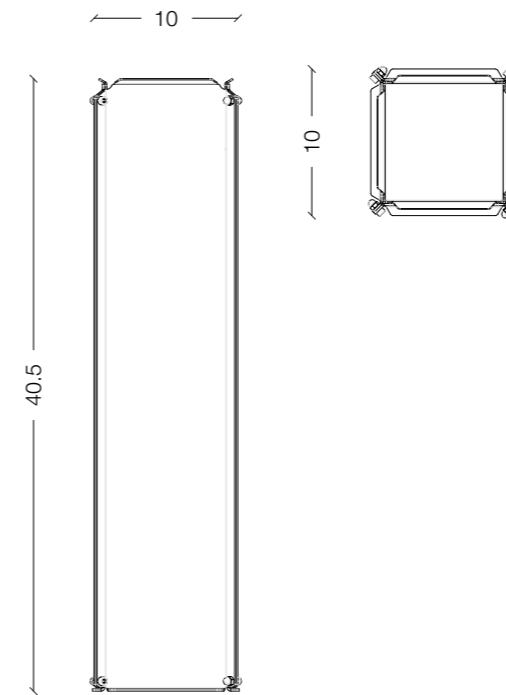
Product Category
High ashtray

Available measures
W10 x D10 x H40.5 cm

Finishes (in the image)
Mirror stainless steel

Technical drawing

Axonometry





↙ NM32 • Metal finish: Mirror Stainless Steel • Ph. Delfino Sisto Legnani

↓ NM32 • Metal finish: Mirror Stainless Steel • Ph. Delfino Sisto Legnani



Index²

↘ NM32 • Metal finish: Mirror Stainless Steel

↓ NM32 • Metal finish: Mirror Stainless Steel; Packaging: cardboard box • Ph. Delfino Sisto Legnani



197

Accessories



Index²



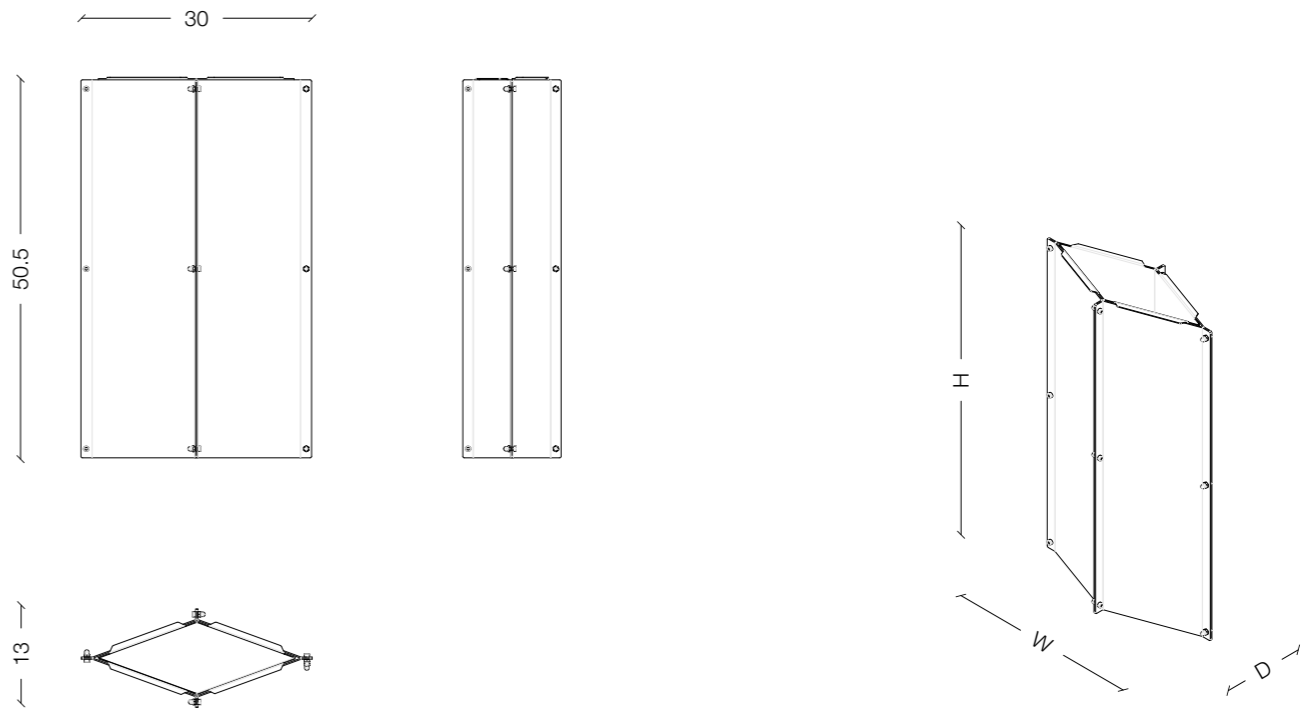
NM33 is a vase from NM3's Small Objects collection, released in 2024, conceived as a vertical architectural element. Its dry-assembled stainless-steel planes and visible junction logic create a crisp silhouette that feels graphic from a distance and precise up close. Minimal and rigorous, NM33 is designed to stand alone as an object or to host floral compositions, bringing NM3's structural language to a compact scale.

Year **2023** Product Category **Vase** Available measures W30 x D13 x H50.5 cm

Finishes (in the image) Mirror stainless steel

Available finishes Metal Standard Mirror stainless steel Custom options Custom dimensions, materials or finishes are available upon request and subject to surcharge. RAL colours outside NM3's standard selection subject to surcharge.

Technical drawing Axonometry





↙ NM33 • Metal finish: Mirror Stainless Steel • Ph. Delfino Sisto Legnani

↓ NM33 • Metal finish: Mirror Stainless Steel • Ph. Delfino Sisto Legnani



Index²

↘ NM33 • Metal finish: Mirror Stainless Steel

↓ NM33 • Metal finish: Mirror Stainless Steel • Ph. Delfino Sisto Legnani



201

Accessories



Index²



NM34 is an incense holder from NM3's Small Objects collection, released in 2024, reduced to a single, precise stainless-steel gesture. Defined by a slim folded profile and crisp edges, it brings NM3's architectural metal language to the smallest scale—minimal, functional, and quietly graphic on a surface.

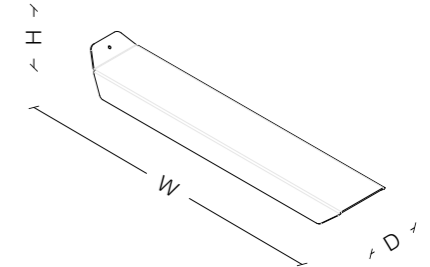
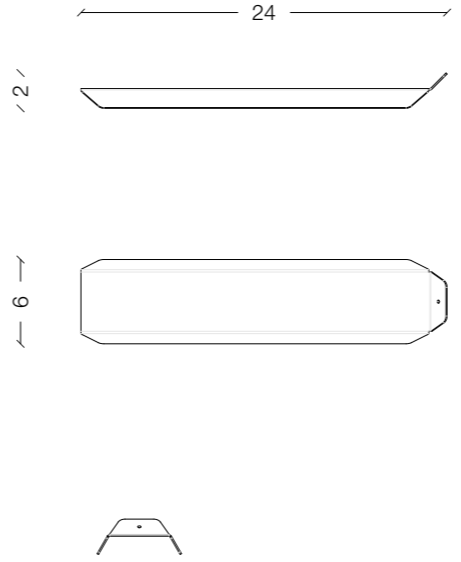
Year **2023** Product Category **Incense holder**

Available measures
W24 x D6 x H2 cm

Finishes (in the image)
Mirror stainless steel

Available finishes **Metal** Standard **Mirror stainless steel** Custom options
Custom dimensions, materials or finishes are available upon request and subject to surcharge. RAL colours outside NM3's standard selection subject to surcharge.

Technical drawing Axonometry





↙ NM34 • Metal finish: Mirror Stainless Steel • Ph. Delfino Sisto Legnani

↓ NM34 • Metal finish: Mirror Stainless Steel • Ph. Delfino Sisto Legnani



Index²

↘ NM34 • Metal finish: Mirror Stainless Steel • Ph. Delfino Sisto Legnani

↓ NM34 • Metal finish: Mirror Stainless Steel • Ph. Delfino Sisto Legnani



205

Accessories



Index²



NM35 is a tray from NM3's Small Objects collection, released in 2024, reduced to a clean, folded stainless-steel surface. With crisp edges and a restrained geometry, it offers a precise platform for organising everyday objects. Minimal yet architectural, NM35 expresses NM3's focus on proportion, edge detail, and material clarity.

Year **2023** Product Category **Tray** Available measures **W45.5 x D35.5 x H2.5 cm**

Finishes (in the image) **Mirror stainless steel**

Available finishes

Metal

Standard

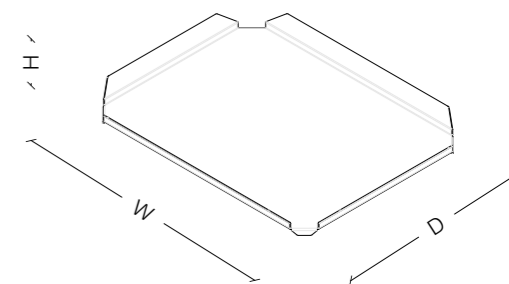
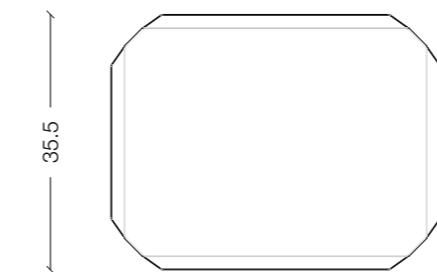
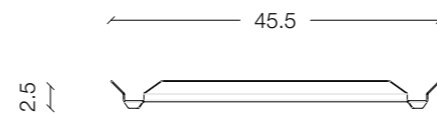
Mirror stainless steel

Custom options

Custom dimensions, materials or finishes are available upon request and subject to surcharge. RAL colours outside NM3's standard selection subject to surcharge.

Technical drawing

Axonometry





↙ NM35 • Metal finish: Mirror Stainless Steel • Ph. Delfino Sisto Legnani

↓ NM35 • Metal finish: Mirror Stainless Steel • Ph. Delfino Sisto Legnani



Index²

↘ NM35 • Metal finish: Mirror Stainless Steel

↓ NM35 • Metal finish: Mirror Stainless Steel



209

Accessories



Index²



NM36 is a rectangular mirror with integrated lateral storage modules. The structure is based on a stainless steel frame with visible fixing elements. Storage compartments are integrated along the vertical sides, maintaining geometric clarity and functional precision. Available in three sizes.

- Available finishes **Metal**
- Essential
Zinc-plated iron
- Standard
Mirror stainless steel
- Custom options
Custom dimensions, materials or finishes are available upon request and subject to surcharge. RAL colours outside NM3's standard selection subject to surcharge.
- Powder-Coated Finishes:
- Black
- White
- Ruby Red
- Capri Bluee
- Dark Grey
- Mustard
- Bottle Green

Technical drawing **Axonometry**

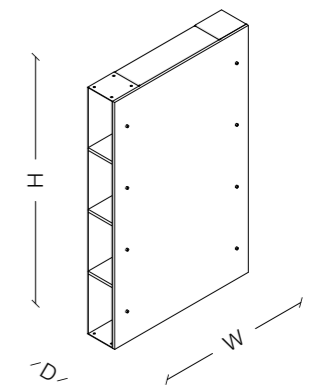
Year **2025**

Product Category **Mirror with drawers**

Measures (in the image) **W50 x D10 x H80 cm**

Available measures
W60 x D10 x H90 cm
W80 x D10 x H100 cm

Finishes (in the image) **Mirror stainless steel**





↙ NM36.2 • Metal finish: Mirror Stainless Steel; Extra-clear mirror

↓ NM36.2 • Metal finish: Mirror Stainless Steel; Extra-clear mirror



Index²

↘ NM36.2 • Metal finish: Mirror Stainless Steel; Extra-clear mirror

↓ NM36.2 • Metal finish: Mirror Stainless Steel; Extra-clear mirror



213

Accessories



Index²

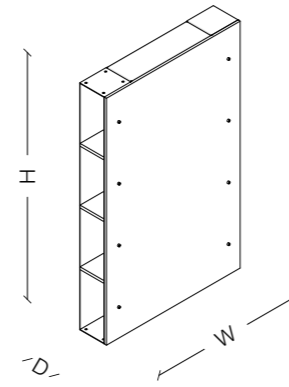
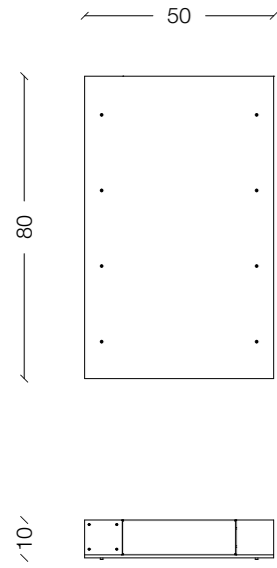
NM36

Technical Draw

Axometry

Measures

W50 x D10 x H80 cm



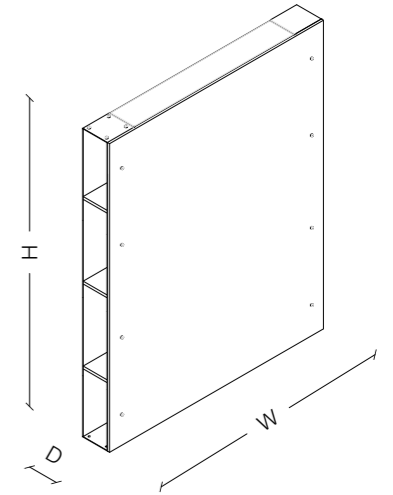
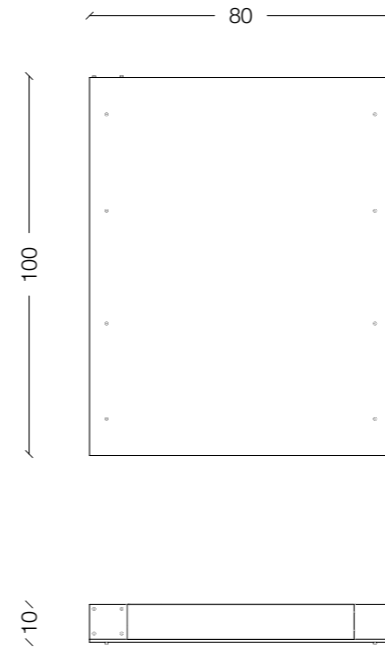
NM36.2

Technical Draw

Axometry

Measures

W80 x D10 x H100 cm



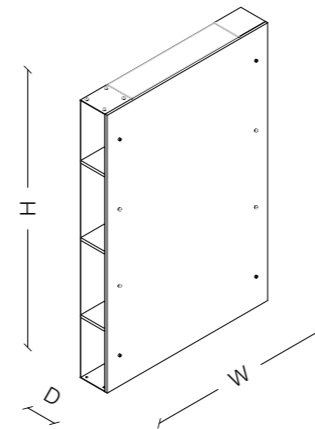
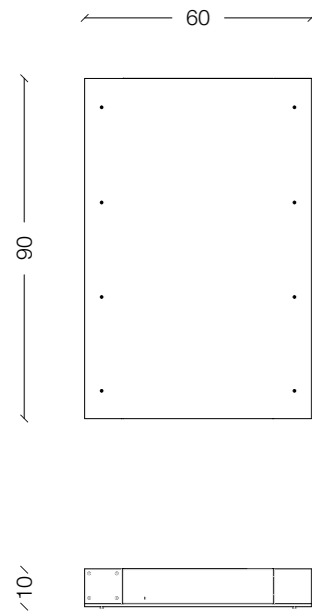
NM36.1

Technical Draw

Axometry

Measures

W60 x D10 x H90 cm





NM37 is a rectangular mirror defined by a stainless steel frame with visible screws. The construction expresses structural clarity through exposed fixing elements and reduced geometry. Available in three sizes.

- Available finishes **Metal**
- Essential
Zinc-plated iron
- Standard
Mirror stainless steel
- Custom options
Custom dimensions, materials or finishes are available upon request and subject to surcharge. RAL colours outside NM3's standard selection subject to surcharge.
- Powder-Coated Finishes:
- Black
- White
- Ruby Red
- Capri Bluee
- Dark Grey
- Mustard
- Bottle Green

Technical drawing **Axonometry**

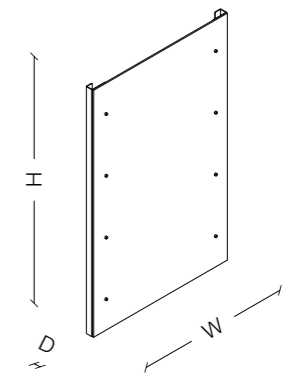
Year **2025**

Product Category **Mirror**

Measures (in the image)
W50 x D2.5 x H80 cm

Available measures
W60 x D2.5 x H90 cm
W80 x D2.5 x H100 cm

Finishes (in the image)
Mirror stainless steel



↙ NM371 • Metal finish: Mirror Stainless Steel; Extra-clear mirror



↓ NM371 • Metal finish: Mirror Stainless Steel; Extra-clear mirror



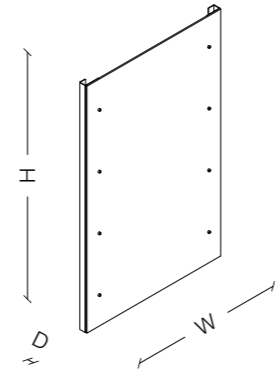
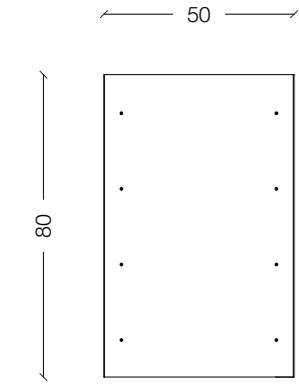
NM37

Technical Draw

Axometry

Measures

W50 x D2.5 x H80 cm



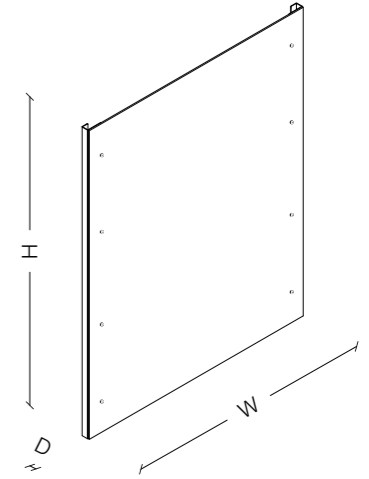
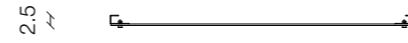
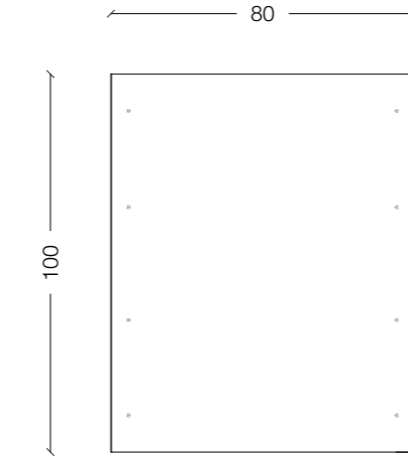
NM37.2

Technical Draw

Axometry

Measures

W80 x D2.5 x H100 cm



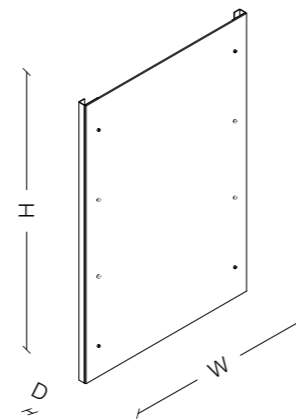
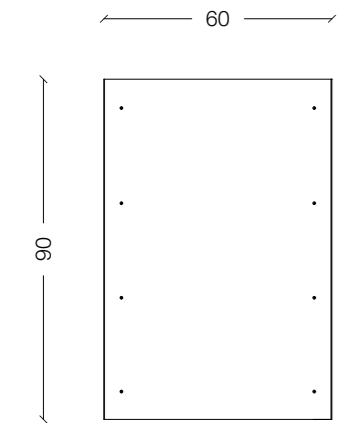
NM37.1

Technical Draw

Axometry

Measures

W60 x D2.5 x H90 cm





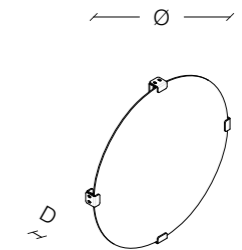
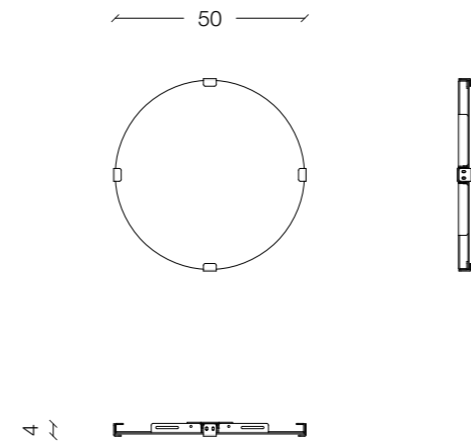
NM38 is a round mirror supported by four stainless steel wall brackets. The frame remains visually reduced, allowing the reflective surface to remain the primary element.

Year **2025** Product Category **Mirror** Available measures $\text{Ø}50 \times \text{D}4 \text{ cm}$

Finishes (in the image)
Raw aluminium

Available finishes **Metal** Standard **Raw aluminium** Custom options
Custom dimensions, materials or finishes are available upon request and subject to surcharge. RAL colours outside NM3's standard selection subject to surcharge.

Technical drawing Axonometry





↙ NM38 • Metal finish: Raw aluminium; Extra-clear mirror

↓ NM38 • Metal finish: Raw aluminium; Extra-clear mirror

↘ NM38 • Metal finish: Raw aluminium; Extra-clear mirror



↓ NM38 • Metal finish: Raw aluminium; Extra-clear mirror



Index²



225

Accessories



Available finishes

Metal

Standard

Mirror stainless steel

Custom options

Custom dimensions, materials or finishes are available upon request and subject to surcharge. RAL colours outside NM3's standard selection subject to surcharge.

NMV

is a vase from NM3's Small Objects collection, released in 2024, conceived as an architectural metal volume: faceted, vertical, and deliberately essential. The rhythm of visible joints and crisp folded planes gives the object a structural character—graphic from a distance, precise up close. Designed to work as a standalone piece or with floral compositions, it brings NM3's dry-assembly language to a compact, sculptural scale.

Year

2023

Product Category

Vase

Available measures

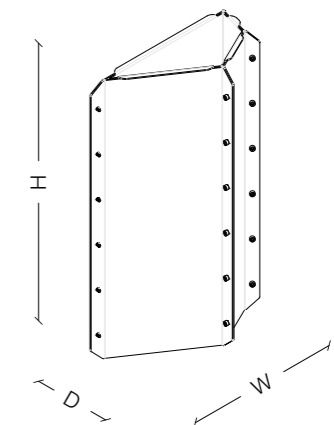
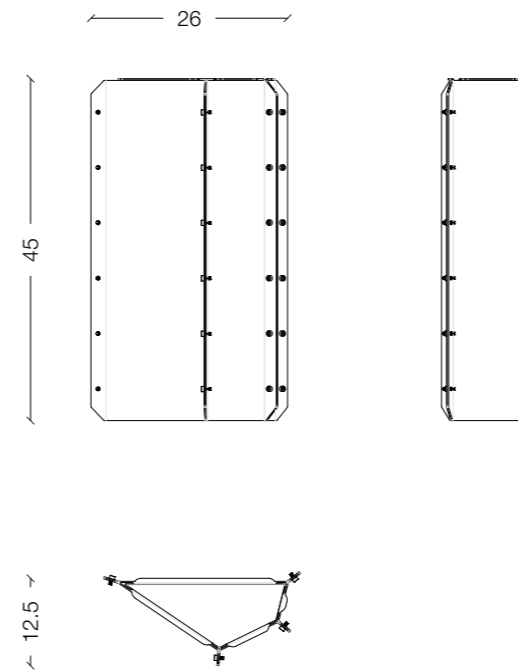
W26 x D12.5 x H45 cm

Finishes (in the image)

Mirror stainless steel

Technical drawing

Axonometry





↙ NMV • Metal finish: Mirror Stainless Steel

↘ NMV • Metal finish: Mirror Stainless Steel • Ph. Louis De Belle



↓ NMV • Metal finish: Mirror Stainless Steel

↓ NMV • Metal finish: Mirror Stainless Steel • Ph. Delfino Sisto Legnani





Available finishes

Metal

Standard

Mirror stainless steel

Custom options

Custom dimensions, materials or finishes are available upon request and subject to surcharge. RAL colours outside NM3's standard selection subject to surcharge.

NM05.1 is a small podium from NM3's Small Objects collection, released in 2024, reduced to an essential architectural volume. Built from dry-assembled stainless-steel planes, it reads as a sharp vertical element defined by clean edges, exposed fasteners, and NM3's precise metal language. Minimal and graphic, it functions as a compact display base or sculptural accent.

Year
2021

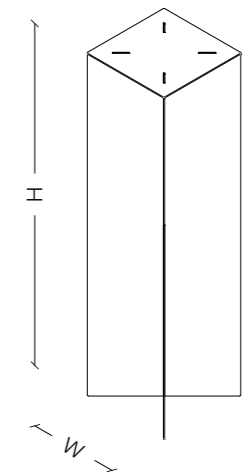
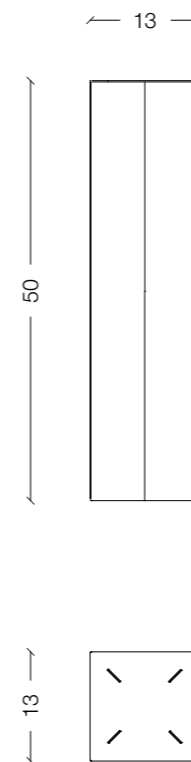
Product Category
Small podium /
Tableware

Available measures
W13 x D13 x H50 cm

Finishes (in the image)
Mirror stainless steel

Technical drawing

Axonometry





↙ NM05.1 • Metal finish: Mirror Stainless Steel • Ph. Delfino Sisto Legnani

↓ NM05.1 - Metal finish: Mirror Stainless Steel, packing: cardboard box • Ph. Delfino Sisto Legnani



Index²

↘ NM05.1 • Metal finish: Mirror Stainless Steel

↓ NM05.1 • Metal finish: Mirror Stainless Steel



233

Accessories



Index²

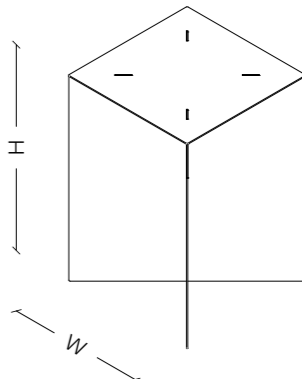
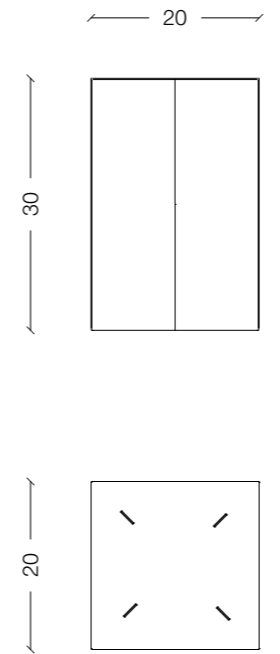


NM05.2 is a small podium from NM3's Small Objects collection, released in 2024, defined by intersecting stainless-steel planes that create a compact structural volume with a clear geometric presence. Its dry-assembled construction expresses NM3's essential approach to metalwork—precise, graphic, and architecturally rigorous at a small scale.

Year	Product Category	Available measures	Finishes (in the image)
2021	Small podium / Tableware	W20 x D20 x H30 cm	Mirror stainless steel

Available finishes	Metal	Standard	Custom options
		Mirror stainless steel	Custom dimensions, materials or finishes are available upon request and subject to surcharge. RAL colours outside NM3's standard selection subject to surcharge.

Technical drawing	Axonometry
-------------------	------------





↙ NM05.2 • Metal finish: Mirror Stainless Steel • Ph. Delfino Sisto Legnani

↓ NM05.2 • Metal finish: Mirror Stainless Steel • Ph. Delfino Sisto Legnani



Index²

↘ NM05.2 • Metal finish: Mirror Stainless Steel • Ph. Delfino Sisto Legnani

↓ NNM05.2 • Metal finish: Mirror Stainless Steel • Ph. Delfino Sisto Legnani



237

Accessories



Index²

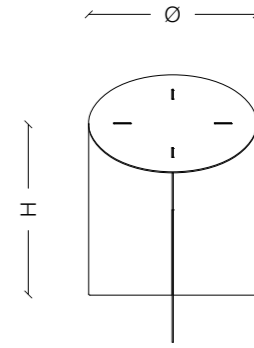
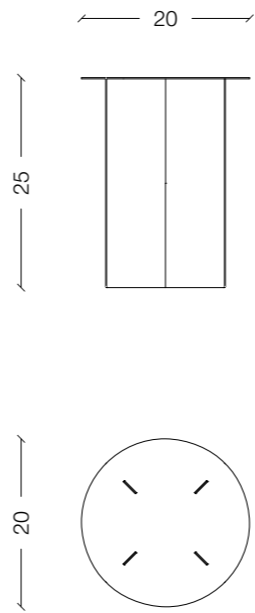


NM05.3 is a small podium from NM3's Small Objects collection, released in 2024, built around a clean circular gesture. Intersecting stainless-steel planes form a stable base beneath the top, giving the object a crisp, architectural presence. Minimal yet expressive, it distils NM3's industrial clarity into a compact display element.

Year	Product Category	Available measures	Finishes (in the image)
2021	Small podium / Tableware	Ø20 x H25 cm	Mirror stainless steel

Available finishes	Metal	Standard	Custom options
		Mirror stainless steel	Custom dimensions, materials or finishes are available upon request and subject to surcharge. RAL colours outside NM3's standard selection subject to surcharge.

Technical drawing	Axonometry
-------------------	------------





↙ NM05.3 • Metal finish: Mirror Stainless Steel • Ph. Delfino Sisto Legnani

↓ NM05.3 • Metal finish: Mirror Stainless Steel, packaging: cardboard box
Ph. Delfino Sisto Legnani



Index²

↘ NM05.3 • Metal finish: Mirror Stainless Steel • Ph. Delfino Sisto Legnani



↓ NM05.3 • Metal finish: Mirror Stainless Steel • Ph. Delfino Sisto Legnani



241

Accessories

Index²

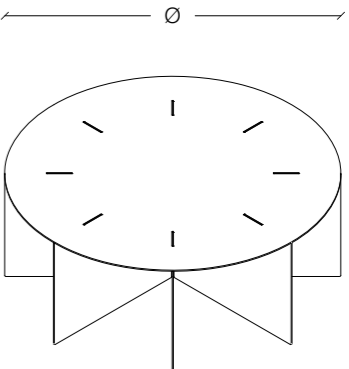
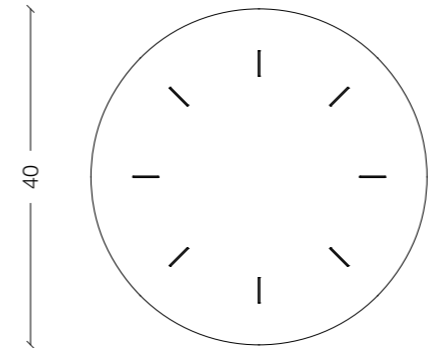
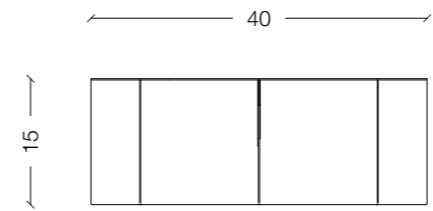


NM05.4 is a circular small podium from NM3's Small Objects collection, released in 2024, defined by a radial stainless-steel structure. Beneath the top, intersecting planes create a precise architectural base, giving the object a strong geometric presence. Compact, reflective, and rigorously minimal, it translates NM3's construction logic into a bold small-scale volume.

Year **2021** Product Category **Small podium / Tableware** Available measures **Ø40 x H15 cm** Finishes (in the image) **Mirror stainless steel**

Available finishes **Metal** Standard **Mirror stainless steel** Custom options Custom dimensions, materials or finishes are available upon request and subject to surcharge. RAL colours outside NM3's standard selection subject to surcharge.

Technical drawing Axonometry





↳ NM05.4 • Metal finish: Mirror Stainless Steel • Ph. Delfino Sisto Legnani

↓ NM05.4 • Metal finish: Mirror Stainless Steel • Ph. Delfino Sisto Legnani



Index²

↳ NM05.4 • Metal finish: Mirror Stainless Steel

↓ NM05.4 • Metal finish: Mirror Stainless Steel • Ph. Gerhardt Kellermann



245

Accessories



Index²

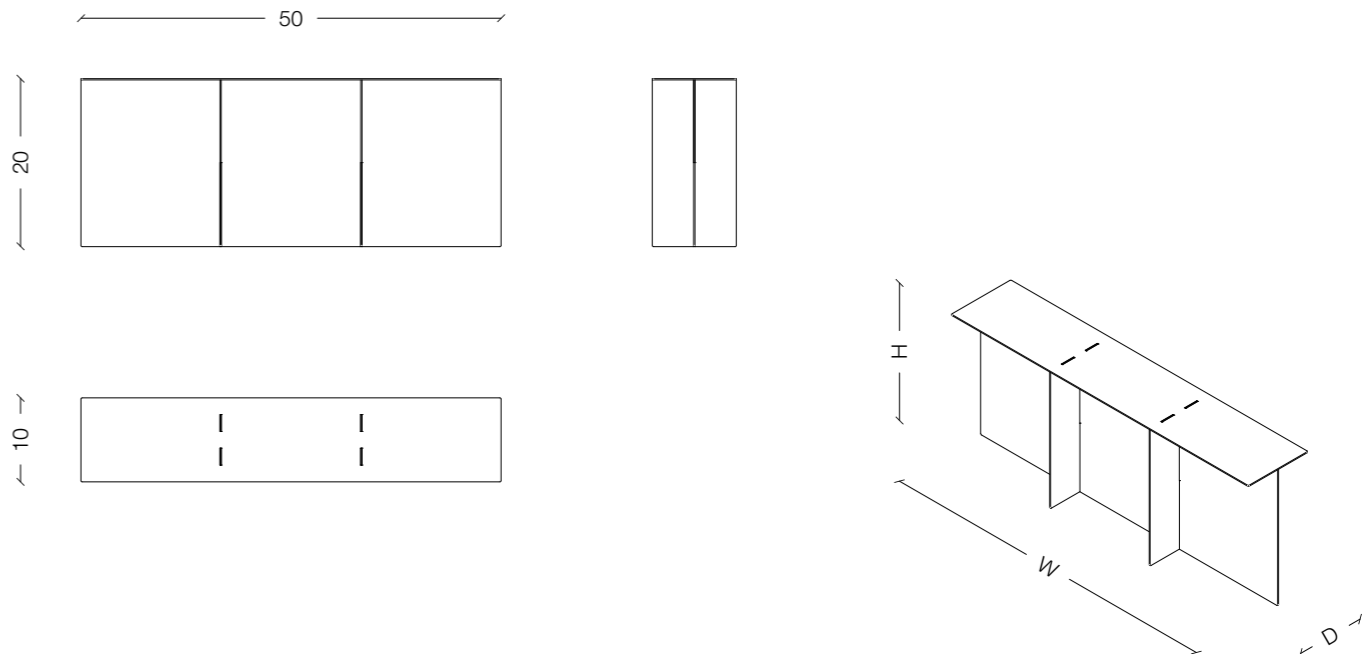


NM05.5 is a small podium from NM3's Small Objects collection, released in 2024, defined by a long, low stainless-steel top supported by a rhythmic sequence of intersecting planes. Graphic in profile and essential in construction, it functions as a support, display surface, or sculptural object—an architectural gesture distilled to its minimum.

Year **2021** Product Category **Small podium / Tableware** Available measures **W50 x D10 x H20 cm** Finishes (in the image) **Mirror stainless steel**

Available finishes **Metal** Standard **Mirror stainless steel** Custom options **Custom dimensions, materials or finishes are available upon request and subject to surcharge. RAL colours outside NM3's standard selection subject to surcharge.**

Technical drawing Axonometry





↙ NNM05.5 • Metal finish: Mirror Stainless Steel • Ph. Delfino Sisto Legnani

↓ NNM05.5 • Metal finish: Mirror Stainless Steel • Ph. Delfino Sisto Legnani



Index²

↘ NM05.5 • Metal finish: Mirror Stainless Steel • Ph. Luca M. Fontana

↓ NM05.5 • Metal finish: Mirror Stainless Steel • Ph. Luca M. Fontana



249

Accessories



Index²

Finishes

Metal[†]
Powder-Coat[†]
Glass[†]
Marble[†]
Upholstery[†]
Feet Option[†]

METAL

Essential



Zinc plated iron

Standard



Mirror Stainless Steel



Satin Stainless Steel



Satin Aluminium



Brushed Aluminium



Brushed Stainless Steel

Premium



Supermirror Stainless Steel

RAL

Powder Coat



Black



White



Ruby Red



Capri Blue



Dark Grey



Mustard



Bottle Green

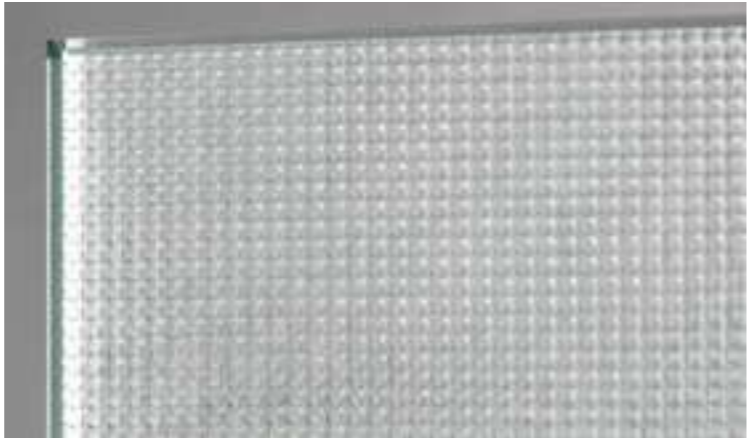
GLASS

Standard



Clear Glass

Premium



Texturized Glass



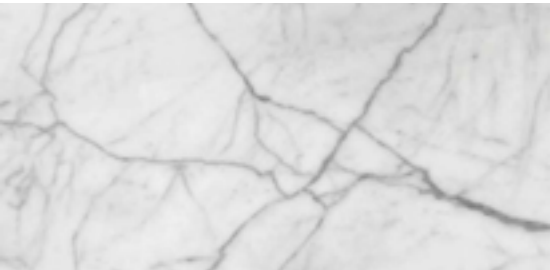
Smoke Trasparent Glass

MARBLE

Standard



Black Granite

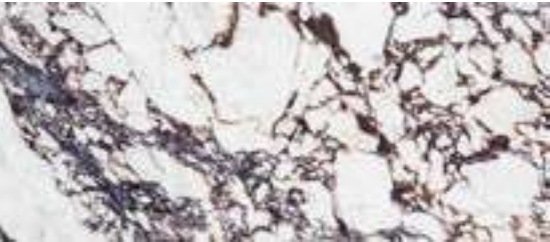


Cararra Bianco

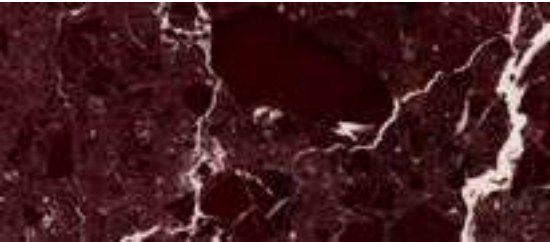


Travertino

Premium



Calcatta Viola



Rosso Levanto



Verde Guatemala

UPHOLSTERY

Standard Nautic, indoor & outdoor fabric



Blu



Granata



Pralina

Pure Linen



Antracite



Beige



Green

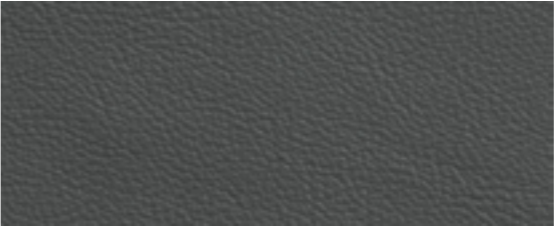
Premium Leather



Black



Écru



Matte Grey

Velvet



Blue Navy



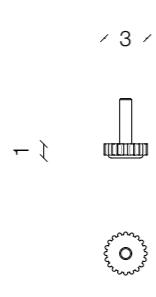
Sage



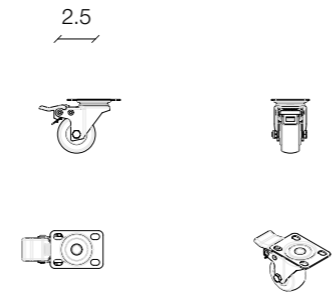
Tortora

FEET OPTION

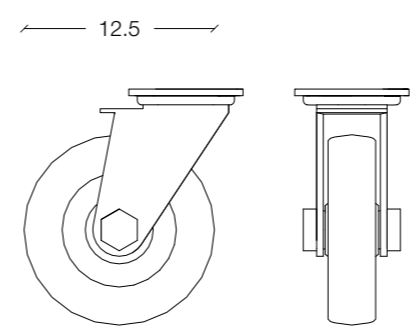
Adjustable feet, H1cm
Black rubber



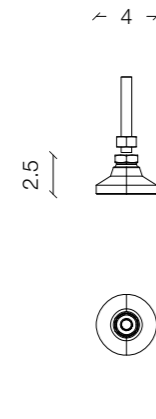
Small wheel



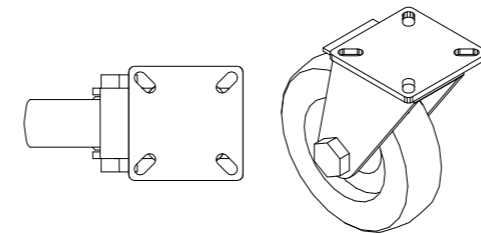
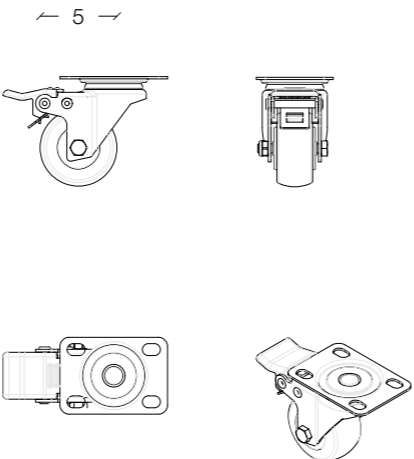
Large wheel



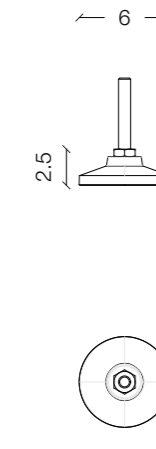
Adjustable feet, H2.5 cm
Black rubber



Medium wheel



Adjustable feet, H2.5 cm
Stainless steel



Contacts

P.za Vetra, 21 20123 Milano (MI) - Italy[↗]
Via Farini, 93 20154 Milano (MI) - Italy[↗]
General inquiries: info@nm3.xyz[↗]
Sales inquiries: orders@nm3.xyz[↗]
[@nm3.xyz](https://www.nm3.xyz)[↗]

All images are courtesy of the respective photographers and rights holders, including but not limited to: Delfino Sisto Legnani; DSL Studio; Louise De Belle; Michela Pedranti; Mikael Olsson; Piercarlo Quecchia. We also thank Alexander May, Studio Blanco, CC-Tapis, and Diir. Some visuals have been digitally altered or generated using artificial intelligence.

For further information regarding photography copyrights, please contact NM3.

Ambra Crociani, Delfino Sisto Legnani; DSL Studio Team; Gerhardt Kellermann; Helenio Barbeta; Ivan Stolbovoi; Luca M. Fontana; Louise De Belle; Michela Pedranti; Mikael Olsson; Piercarlo Quecchia.